

HSM2108 v1.1 Installation Instructions

8-Zone Expander Module

This Installation sheet shall be used in conjunction with the Installation Manual of the DSC equipment to which HSM2108 is connected or powered from (e.g. alarm controller, power supply, etc.). The HSM2108 module can be used to extend up to 8 hardwired input zones on the compatible DSC Alarm Control Panel (Alarm Panel), models HS2016, HS2032, HS2064, and HS2128.

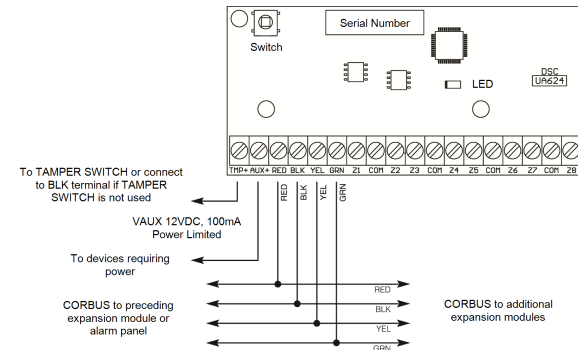
General

HSM2108 may be installed in the same metallic cabinet as the alarm controller/power supply (model Power UC1, PC5003C) or in a separate enclosure (PC4003C). Disconnect power and telephone line before installing the HSM2108 in the cabinet. Internal and/or external wiring for the HSM2108 shall be routed, supported, clamped or secured in a manner that reduces the likelihood of (a) excessive strain on wire and terminal connections, (b) loosening of terminal connections, and (c) damage of conductor insulation.

Specifications

- Temperature range: -10°C to +55°C (0°C to +49°C for UL/ULC listed systems)
- Relative Humidity: 93% non condensing
- Input rating: 12.5VDC/130mA (provided by the alarm controller or separate power supply)
- Board current draw: 30mA
- Board dimensions: 45mm x 92mm; Weight: 35g
- VAUX output ratings: 12.5VDC, -15%/+10% when input voltage is between 85% to 110% of rated value and output current is between 0mA-100mA max.
- Resettable fuse (PTC) used on circuit board instead of replaceable fuses
- Maximum wire length from alarm panel: 1,000'/305m

Terminal Descriptions



TMP- Used to tamper the cabinet in which the HSM2108 is mounted. Connect a normally closed (NC) switch across TAM and BLK. If the tamper is not being used connect a piece of wire across TMP and BLK to remove the trouble condition. There is a built-in tamper switch on the expander module located in the top left corner of the circuit board. If the cabinet in which the HSM2108 is mounted has the hardware required to depress this tamper switch, do not connect anything to the TAM terminal.

NOTE: Tamper protect is required for UL/ULC commercial/residential burglary installations.

AUX+ - Used to provide power for devices. Maximum current draw is not to exceed 100 mA. Connect the positive lead of powered devices to VAUX and the negative to any COM terminal.

CORBUS - The 4-wire Corbus connection is used by the panel to communicate with the module. Connect the RED, BLK, YEL and GRN terminals to the Corbus terminals on the HS2016, HS2032, HS2064, or HS2128 main control.

Z1 to Z8 - Wire the zones according to the description found in the control panel Installation Manual.

NOTE: UL/ULC installations require single end-of-line or double end-of-line configuration with 5600Ω resistors.

Enclosures

The HSM2108 can be installed in the metal enclosures listed below. Tamper protection switches can be installed on all enclosures, including door opening protection and/or removal from the mounting position. Doors shall be secured using screws or keylock.

- Model PC5003C (removable door) made of 22Ga steel, painted. Dimensions: 248mm(L) x 298mm(W) x 76mm(H), Weight: 1500g.
- Model PC5003C (hinged door) made of 1.2mm thick steel, painted. Dimensions: 248mm(L) x 298mm(W) x 76mm(H), Weight: 2500g
- Model Power UC1 made of 18Ga steel, painted. Dimensions: 315mm(L) x 319mm(W) x 100mm(H), Weight: 3150g.
- Model PC4003C made of 18Ga steel, painted. Dimensions: 230mm(L) x 180mm(W) x 75mm(D), Weight: 1050g

NOTE: Use PC4003C or PC5003C for UL/ULC installations

Automatically Enrolling on the Alarm Panel

When a HSM2108 is enrolled on the alarm panel, it will take the next available bank of 8 zones. To enroll the HSM2108 follow these steps:

1. Ensure that the system is not powered.
2. Connect the HSM2108 to the Corbus.
3. Power up the system.
4. Enter section [902] [000] and wait 1 minute.
5. Enter section [903] [102] to verify that the module is supervised.
6. Define the zones in section [001].
7. Configure zone attributes in section [002]
8. Add the zones to the appropriate partition in sections [201]-[208].

Manually Enrolling on the Alarm Panel

When a HSM2108 is enrolled on the alarm panel, it will take the next available bank of 8 zones. To enroll the HSM2108 follow these steps:

1. Ensure that the system is not powered.
2. Connect HS2108 to the Corbus.
3. Power up the system.
4. Enter section [902] [001].
5. Enter the module serial number.
6. Enter section [903] [102] to verify that the module is supervised.
7. Define the zones in section [001].
8. Configure zone attributes in section [002]
9. Add the zones to the appropriate partition in sections [201]-[208].

Status LED

The HSM2108 is equipped with a status LED to indicate the current status of the module. If the HSM2108 is operating correctly, the status LED will flash briefly every 10 seconds. When a trouble condition is present, the status LED will display a series of flashes then remain blank for 1.7 seconds. The number of flashes between blank periods indicates the trouble condition present as outlined in the table below.

Number of Flashes	Trouble Condition
1	Module not enrolled
2	Alarm Panel supervision trouble
3	CORBUS low voltage

Limited Warranty

Digital Security Controls DSC warrants that for a period of twelve months from the date of purchase, the product shall be free of defects in materials and workmanship under normal use and that in fulfillment of any such warranty, DSC shall, at its option, repair or replace the defective equipment upon return of the equipment to its factory. This warranty applies only to defects in parts and workmanship and not to damage incurred in shipping or handling, or damage due to causes beyond the control of DSC such as lightning, excessive voltage, mechanical shock, water damage, or damage arising out of abuse, alteration or improper application of the equipment.

The foregoing warranty shall apply only to the original buyer, and is and shall be in lieu of any and all other warranties, whether expressed or implied and of all other obligations or liabilities on the part of DSC. This warranty contains the entire warranty. Digital Security Controls neither assumes responsibility for, nor authorizes any other person purporting to act on its behalf to modify or to change this warranty, nor to assume for it any other warranty or liability concerning this product. In no event shall DSC be liable for any direct or indirect or consequential damages, loss of anticipated profits, loss of time or any other losses incurred by the buyer in connection with the purchase, installation or operation or failure of this product.

Warning: Digital Security Controls recommends that the entire system be completely tested on a regular basis. However, despite frequent testing, and due to, but not limited to, criminal tampering or electrical disruption, it is possible for this product to fail to perform as expected.

IMPORTANT - READ CAREFULLY: DSC Software purchased with or without Product and Components is copyright and is protected under the following license terms:
This End User License Agreement ("EULA") is a legal agreement between You (the company, individual or entity who acquires the Software and any related Hardware) and Digital Security Controls, a division of Tyco Safety Products Canada Ltd. ("DSC"), the manufacturer of the integrated security systems and the developer of the software and any related products or components ("HARDWARE") which You acquired. If the DSC software product ("SOFTWARE PRODUCT" or "SOFTWARE") is intended to be accompanied by HARDWARE, and is NOT accompanied by new HARDWARE, You may not use, copy or install the SOFTWARE PRODUCT. The SOFTWARE PRODUCT includes computer software, and may include associated media, printed materials, and "online" or electronic documentation. Any software provided along with the SOFTWARE PRODUCT that is associated with a separate end-user license agreement is licensed to You under the terms of that license agreement.

By installing, copying, downloading, storing, accessing or otherwise using the SOFTWARE PRODUCT, You agree unconditionally to be bound by the terms of this EULA, even if this EULA is deemed to be a modification of any previous arrangement or contract. If You do not agree to the terms of this EULA, DSC is unwilling to license the SOFTWARE PRODUCT to You, and You have no right to use it.

SOFTWARE PRODUCT LICENSE

The SOFTWARE PRODUCT is protected by copyright laws and international copyright treaties, as well as other intellectual property laws and treaties. The SOFTWARE PRODUCT is licensed, not sold.

1. GRANT OF LICENSE This EULA grants You the following rights:
 - (a) Software Installation and Use - For each license You acquire, You may have only one copy of the SOFTWARE PRODUCT installed.
 - (b) Storage/Network Use - The SOFTWARE PRODUCT may not be installed, accessed, displayed, run, shared or used concurrently on more than one computer, including a workstation, terminal or other digital electronic device ("Device"). In other words, if You have several workstations, You will have to acquire a license for each workstation where the SOFTWARE will be used.
 - (c) Back-Up Copy - You may make back-up copies of the SOFTWARE PRODUCT, but You may only have one copy per license installed at any given time. You may use the back-up copy solely for archival purposes. Except as expressly provided in this EULA, You may not otherwise make copies of the SOFTWARE PRODUCT, including the printed materials accompanying the SOFTWARE.

2. DESCRIPTION OF OTHER RIGHTS AND LIMITATIONS

(a) Limitations on Reverse Engineering, Decompilation, and Disassembly - You may not reverse engineer, decompile, or disassemble the SOFTWARE PRODUCT, except and only to the extent that such activity is expressly permitted by applicable law notwithstanding this limitation. You may not make any changes or modifications to the Software, without the written permission of an officer of DSC. You may not remove any proprietary notices, marks or labels from the Software or Product. You shall institute a reasonable measures to ensure compliance with the terms and conditions of this EULA.

(b) Separation of Components - The SOFTWARE PRODUCT is licensed as a single product. Its component parts may not be separated for use on more than one HARDWARE unit.

(c) Single INTEGRATED PRODUCT - If You acquired the SOFTWARE WITH HARDWARE, then the SOFTWARE PRODUCT is licensed with the HARDWARE as a single integrated product. In this case, the SOFTWARE PRODUCT may only be used with the HARDWARE as set forth in this EULA.

(d) Rental - You may not rent, lease or lend the SOFTWARE PRODUCT. You may not make it available to others or post it on a server or web site.

(e) Software Product Transfer - You may transfer all of Your rights under this EULA only as part of a permanent sale or transfer of all of the HARDWARE, provided You retain no copies, You transfer all of the SOFTWARE PRODUCT (including all component parts, the media and printed materials, any upgrades and this EULA), and provided the recipient agrees to the terms of this EULA. If the SOFTWARE PRODUCT is an upgrade, any transfer must also include all prior versions of the SOFTWARE PRODUCT.

(f) Termination - Without prejudice to any other rights, DSC may terminate this EULA if You fail to comply with the terms and conditions of this EULA. In such event, You must destroy all copies of the SOFTWARE PRODUCT and all of its component parts.

(g) Trademarks - This EULA does not grant You any rights in connection with any trademarks or service marks of DSC or its supplier.

3. COPYRIGHT - All title and intellectual property rights in and to the SOFTWARE PRODUCT (including but not limited to any images, photographs, and text incorporated into the SOFTWARE PRODUCT), the accompanying printed materials, and any copies of the SOFTWARE PRODUCT, are owned by DSC or its suppliers. You may not copy the printed materials accompanying the SOFTWARE PRODUCT. All title and intellectual property rights in and to the content which may be accessed through use of the SOFTWARE PRODUCT are the property of the respective content owner and may be protected by applicable copyright or other intellectual property laws and treaties. This EULA grants You no rights to use such content. All rights not expressly granted under this EULA are reserved by DSC and its suppliers.

4. EXPORT RESTRICTIONS - You agree that You will not export or re-export the SOFTWARE PRODUCT to any country, person, or entity subject to Canadian export restrictions.

5. CHOICE OF LAW - This Software License Agreement is governed by the laws of the Province of Ontario, Canada.

6. ARBITRATION - All disputes arising in connection with this Agreement shall be determined by final and binding arbitration in accordance with the Arbitration Act, and the parties agree to be bound by the arbitrator's decision. The place of arbitration shall be Toronto, Canada, and the language of the arbitration shall be English.

7. LIMITED WARRANTY

(a) NO WARRANTY - DSC PROVIDES THE SOFTWARE "AS IS" WITHOUT WARRANTY. DSC DOES NOT WARRANT THAT THE SOFTWARE WILL MEET YOUR REQUIREMENTS OR THAT OPERATION OF THE SOFTWARE WILL BE UNINTERRUPTED OR ERROR-FREE.

(b) CHANGES IN OPERATING ENVIRONMENT - DSC shall not be responsible for problems caused by changes in the operating characteristics of the HARDWARE, or for problems in the installation of the SOFTWARE PRODUCT with non-DSC SOFTWARE or HARDWARE PRODUCTS.

(c) LIMITATION OF LIABILITY; WARRANTY REFLECTS ALLOCATION OF RISK - IN ANY EVENT, IF ANY STATUTE IMPLIES WARRANTIES OR CONDITIONS NOT STATED IN THIS LICENSE AGREEMENT, DSC'S ENTIRE LIABILITY UNDER ANY PROVISION OF THIS LICENSE AGREEMENT SHALL BE LIMITED TO THE GREATER OF THE AMOUNT ACTUALLY PAID BY YOU TO LICENSE THE SOFTWARE PRODUCT AND FIVE CANADIAN DOLLARS (CAD\$5.00), BECAUSE SOME JURISDICTIONS DO NOT ALLOW THE EXCLUSION OR LIMITATION OF LIABILITY FOR CONSEQUENTIAL OR INCIDENTAL DAMAGES, THE ABOVE LIMITATION MAY NOT APPLY TO YOU.

(d) DISCLAIMER OF WARRANTIES - THIS WARRANTY CONTAINS THE ENTIRE WARRANTY AND SHALL BE IN LIEU OF ANY AND ALL OTHER WARRANTIES, WHETHER EXPRESSED OR IMPLIED (INCLUDING ALL IMPLIED WARRANTIES OF MERCHANTABILITY OR FITNESS FOR A PARTICULAR PURPOSE) AND OF ALL OTHER OBLIGATIONS OR LIABILITIES ON THE PART OF DSC. DSC MAKES NO OTHER WARRANTIES. DSC NEITHER ASSUMES NOR AUTHORIZES ANY OTHER PERSON PURPORTING TO ACT ON ITS BEHALF TO MODIFY OR TO CHANGE THIS WARRANTY, NOR TO ASSUME FOR IT ANY OTHER WARRANTY OR LIABILITY CONCERNING THIS SOFTWARE PRODUCT.

(e) EXCLUSIVE REMEDY AND LIMITATION OF WARRANTY - UNDER NO CIRCUMSTANCES SHALL DSC BE LIABLE FOR ANY SPECIAL, INCIDENTAL, CONSEQUENTIAL OR INDIRECT DAMAGES BASED UPON BREACH OF WARRANTY, BREACH OF CONTRACT, NEGLIGENCE, STRICT LIABILITY, OR ANY OTHER LEGAL THEORY. SUCH DAMAGES INCLUDE, BUT ARE NOT LIMITED TO, LOSS OF PROFITS, LOSS OF THE SOFTWARE PRODUCT OR ANY ASSOCIATED EQUIPMENT, COST OF CAPITAL, COST OF SUBSTITUTE OR REPLACEMENT EQUIPMENT, FACILITIES, SERVICES, DOWNTIME, PURCHASERS TIME, THE CLAIMS OF THIRD PARTIES, INCLUDING CUSTOMERS, AND INJURY TO PROPERTY. WARNING: DSC recommends that the entire system be completely tested on a regular basis. However, despite frequent testing, and due to, but not limited to, criminal tampering or electrical disruption, it is possible for this SOFTWARE PRODUCT to fail to perform as expected.

8. FCC COMPLIANCE STATEMENT

CAUTION: Changes or modifications not expressly approved by Digital Security Controls could void your authority to use this equipment.

This equipment generates and uses radio frequency energy and if not installed and used properly, in strict accordance with the manufacturer's instructions, may cause interference to radio and television reception. It has been type tested and found to comply with the limits for Class B devices in accordance with the specifications in Subpart B of Part 15 of FCC Rules, which are designed to provide reasonable protection against such interference in any residential installation. However, there is no guarantee that interference will not occur in a particular installation.

If this equipment does cause interference to television or radio reception, which can be determined by turning the equipment off and on, the user is encouraged to try to correct the interference by one or more of the following measures:

- Re-orient the receiving antenna
- Relocate the alarm control with respect to the receiver
- Move the alarm control away from the receiver
- Connect the alarm control into a different outlet so that alarm control and receiver are on different circuits.

If necessary, the user should consult the dealer or an experienced radio/television technician for additional suggestions. The user may find the following booklet prepared by the FCC useful: "How to Identify and Resolve Radio/Television Interference Problems". This booklet is available from the U.S. Government Printing Office, Washington D.C. 20402, Stock #004-000-00345-4.

Industry Canada
CAN ICES-3(B)/NMB-3(B)

EN CERTIFICATION

The model HSM2108 zone expander has been certified by Telecommunication according to EN50131-1:2006+A1:2009 and EN50131-3:2009 for Grade 2, Class II.

Instrucciones de instalación HSM2108 v1.1

Módulo de expansión de 8 zonas

Esta hoja de instalación debe utilizarse junto con el Manual de instalación del equipo DSC al que el HSM2108 esté conectado o desde el que esté alimentado (por ejemplo, controlador de alarma, fuente de alimentación, etc.). El módulo HSM2108 puede utilizarse para ampliar hasta 8 zonas de entrada conectadas por cable en el Panel de control de alarma del DSC compatible (Panel de alarma), modelos HS2016, HS2032, HS2064 y HS2128.

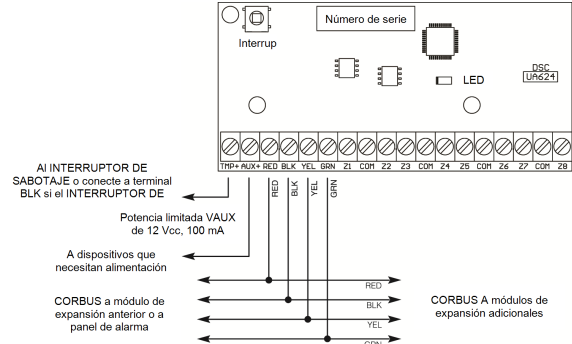
General

HSM2108 puede instalarse en el mismo gabinete metálico que el controlador de alarma/fuente de alimentación (modelo Power UC1, PC5003C) o en un gabinete separado (PC4003C). Desconecte las conexiones de energía CA y de baterías del panel y desconecte la línea telefónica. El cableado interno y/o externo para el HSM2108 debe direccionarse, soportarse, ajustarse o asegurarse de forma tal que se reduzca la posibilidad de (a) tensión excesiva en el cable y en las conexiones de terminales, (b) alojamiento de conexiones de terminales y (c) daño del aislamiento de los conductores.

Especificaciones

- Rango de temperatura: -10 °C a +55 °C (0 °C a +49 °C para sistemas listados por UL/ULC)
- Humedad relativa: 93% sin condensación
- Entrada nominal: 12,5 Vcc/130mA (proporcionado por el controlador de alarma o por fuente de alimentación separada)
- Consumo de corriente de tarjeta: 30mA
- 45 mm (largo) x 92 mm (ancho); peso 35 g.
- Salida nominal VAUX: 12,5Vcc, -15 %/+15 % cuando la tensión de entrada oscila entre 85 % y 110 % de valor nominal y la corriente de salida oscila entre 0 mA - 100 mA como máximo.
- Fusible reajustable (PTC) utilizado en el tablero del circuito en vez de fusibles reemplazables
- Longitud máxima del cable desde el panel de alarma: 1 000'/305m

Descripciones de terminal



TMP - Utilizado para proteger el gabinete en el que el HSM2108 está montado. Conecte un interruptor normalmente cerrado (NC) a través de TAM y BLK. Si no se utiliza el interruptor de sabotaje, conecte un cable a través de TMP y de BLK para eliminar la condición problemática. Hay un interruptor de sabotaje integrado en el módulo de expansión ubicado en la esquina superior izquierda de la placa de circuito. Si el gabinete en el que el HSM2108 está montado tiene el hardware necesario para presionar este interruptor de sabotaje, no conecte nada a la terminal TAM.

NOTA: Se requiere protección contra sabotaje para instalaciones contra robo comerciales/residenciales homologadas por la UL/ULC.

AUX+ - Utilizado para proporcionar alimentación a dispositivos. El consumo de corriente máximo no debe exceder 100 mA. Conecte el cable positivo de los dispositivos alimentados a VAUX; y el negativo, a la terminal BLK o cualquier terminal COM.

CORBUS - El panel usa la conexión Corbus de 4 hilos para comunicarse con el módulo. Conecte las terminales RED, BLK, YEL y GRN a las terminales Corbus en el control principal de HS2016, HS2032, HS2064 o HS2128.

Z1 a Z8 - Cablee las zonas de acuerdo con la descripción que se encuentra en el Manual de Instalación del panel de control.

NOTA: Las instalaciones homologadas por la UL/ULC requieren configuración de fin de línea simple o fin de línea doble con resistencias de 5600Ω.

Alojamientos

El HSM2108 puede instalarse en los gabinetes metálicos que se enumeran a continuación. Los interruptores de protección contra sabotaje pueden instalarse en todos los gabinetes, incluyendo la protección contra apertura de puertas y/o el retiro de la posición de montaje. Las puertas deberán asegurarse usando tornillos o cerraduras.

- Modelo PC5003C (puerta desmontable) de acero 22 Ga, pintado. 248 mm (Largo) x 298 mm (Ancho) x 76 mm (Alto), Peso: 1500g
- Modelo PC5003C (puerta con bisagras) de acero de 1.2 mm de espesor, pintado. 248 mm (Largo) x 298 mm (Ancho) x 76 mm (Alto), Peso: 2500g
- Modelo Power UC1 hecho de acero de 18 Ga, pintado. 315 mm (Largo) x 319 mm (Ancho) x 100 mm (Alto), Peso: 3150g
- Modelo PC4003C hecho de acero de 18 Ga, pintado. 230 mm (Largo) x 180 mm (Ancho) x 75 mm (Alto), Peso: 1050g

NOTA: Use PC4003C o PC5003C para instalaciones homologadas por la UL/ULC

Registro automático en el panel de alarma

Cuando un HSM2108 esté registrado en el panel de alarma, tomará el siguiente banco disponible de 8 zonas. Para registrar el HSM2108, siga estos pasos:

- Asegúrese de que el sistema no esté encendido.
- Conecte el HSM2108 al Corbus.
- Encienda el sistema.
- Ingrese la sección [902] [000] y espere 1 minuto.
- Ingrese la sección [903] [102] para verificar que el módulo esté supervisado.
- Defina las zonas en la sección [001].
- Configure los atributos de zona en la sección [002].
- Agregue las zonas a la partición apropiada en las secciones [201]-[208].

Registro manual en el panel de alarma

Cuando un HSM2108 esté registrado en el panel de alarma, tomará el siguiente banco disponible de 8 zonas. Para registrar el HSM2108, siga estos pasos:

- Asegúrese de que el sistema no esté encendido.
- Conecte el HSM2108 al Corbus.
- Encienda el sistema.
- Ingrese la sección [902] [001].
- Ingrese el número de serie del módulo.
- Ingrese la sección [903] [102] para verificar que el módulo esté supervisado.
- Defina las zonas en la sección [001].
- Configure los atributos de zona en la sección [002].
- Agregue las zonas a la partición apropiada en las secciones [201]-[208].

LED de estado

El HSM2108 está equipado con un LED de estado para indicar el estado actual del módulo. Si el HSM2108 está operando correctamente, el LED de estado parpadeará brevemente cada 10 segundos. Cuando exista una condición de avería, el LED de estado mostrará una serie de destellos y después permanecerá en blanco durante 1,7 segundos. El número de destellos entre los períodos en blanco indica la condición de avería existente de acuerdo con la tabla siguiente.

Número de destellos	Condición de avería
1	Módulo no asociado
2	Problema de supervisión del panel de alarma
3	Bajo voltaje en CORBUS

Garantía Limitada

Digital Security Controls Ltd. garantiza al comprador original que por un periodo de doce meses desde la fecha de compra, el producto está libre de defectos en materiales y hechura en uso normal. Durante el periodo de la garantía, Digital Security Controls Ltd., decide si no reparar o reemplazará cualquier producto defectuoso devolviéndolo al producto a su fábrica. Esta garantía se aplica solamente a defectos en componentes y mano de obra y/o los daños que puedan haberse presentado durante el transporte y manipulación o daños debidos a causas fuera del control de Digital Security Controls Ltd., tales como rayos, voltaje excesivo, sacudidas mecánicas, daños por agua, o daños resultantes del abuso, alteración o aplicación inadecuada del equipo.

La garantía anterior se aplica solamente al comprador original y sustituye a cualquier otra garantía, ya sea explícita o implícita, y todos los otros obligaciones y responsabilidades por parte de Digital Security Controls Ltd. Esta garantía contiene la garantía total. Digital Security Controls no acepta ninguna responsabilidad ni autoriza a ninguna otra persona a actuar en su nombre para modificar o cambiar esta garantía, ni para aceptar en su nombre ninguna otra garantía o responsabilidad relativa a este producto. En ningún caso, Digital Security Controls Ltd., será responsable de cualquier daño o perjuicio directo, indirecto o consecuente, pérdidas de utilidades esperadas, pérdidas de tiempo o cualquier otra pérdida incurrida por el comprador con relación a la adquisición, instalación, operación o fallo de este producto.

ADVERTENCIA: DSC recomienda que se pruebe todo el sistema completamente de modo regular. Sin embargo, a pesar de las pruebas frecuentes, y debido a ellas, pero no limitado a las mismas, intentos criminales de forzarlo o interrupción eléctrica, es posible que este PRODUCTO DE SOFTWARE falle con relación al desempeño esperado.

IMPORTANTE – LEA ATENTAMENTE el Software DSC con cuidado con o sin traducción y Componentes tienen marcas registradas y es adquirido bajo los siguientes términos de licencia. Este Acuerdo de Licencia de Usuario Final (EULA) de Licencia Agreement — "EULA" es un acuerdo legal entre usted y DSC, individual o entidad que ha adquirido el Software y cualquier Hardware relacionado) y Digital Security Controls, una división de Tyco Safety and Products Canada Ltd. Si el productor de Software DSC ("PRODUCTO DE SOFTWARE" o "SOFTWARE") necesita estar acompañado de HARDWARE y NO está acompañado de nuevo HARDWARE, usted no puede usar, copiar o instalar el PRODUCTO DE SOFTWARE. EL PRODUCTO DE SOFTWARE incluye software y puede incluir: métodos asociados, materiales impresos y documentación "en línea" o electrónica. Cualquier software provisto con el PRODUCTO DE SOFTWARE que está asociado a un acuerdo de licencia de usuario final, cuando se le concede a usted bajo los términos de ese acuerdo de licencia. Alinear, copiar, o realizar la descarga, almacenar, cualquier otro modo, usar el PRODUCTO DE SOFTWARE. Usted se somete incondicionalmente a los límites de los términos de este EULA, incluso si este EULA es una modificación de cualquier acuerdo con otro previo. Si no está de acuerdo con los términos de este EULA, DSC no podrá licenciar el PRODUCTO DE SOFTWARE y usted no tendrá derecho de usarlo.

LICENCIA DE PRODUCTO DE SOFTWARE

EL PRODUCTO DE SOFTWARE está protegido por leyes de derecho de autor y acuerdos de derecho de autor, así como otros tratados y leyes de propiedad intelectual. EL PRODUCTO DE SOFTWARE es licencia, no venta.

1. CONCESIÓN DE LICENCIA: Este EULA le concede los siguientes derechos:

(a) Instalación y uso del software — Para cada licencia que usted adquiere, usted puede instalar tan sólo una copia del PRODUCTO DE SOFTWARE.

(b) Almacenamiento/uso en red — EL PRODUCTO DE SOFTWARE no puede ser instalado, accedido, mostrado, ejecutado, compartido o usado al mismo tiempo desde diferentes ordenadores, incluyendo una estación de trabajo, terminal u otro dispositivo electrónico ("Dispositivo"). En otros palabras, si usted tiene varias estaciones de trabajo, usted tendrá que adquirir una licencia para cada estación de trabajo donde usará el SOFTWARE.

(c) Copias de seguridad — Usted puede hacer copias de seguridad del PRODUCTO DE SOFTWARE, pero sólo puede tener una copia por licencia instalada en un momento determinado. Usted puede usar la copia de seguridad solamente para propósitos de archivo. Excepto del modo en que está expresamente previsto en este EULA, usted no puede hacer copias del PRODUCTO DE SOFTWARE de otro modo, incluyendo los materiales impresos que acompañan al SOFTWARE.

2. DESCRIPCIÓN DE OTROS DERECHOS Y LIMITACIONES.

(a) Limitaciones antiingeniería Reverse Source/compilación/Desmontado —Usted no puede realizar ingeniería reverse, descompilar o desmontar el PRODUCTO DE SOFTWARE, excepto y solamente en la medida en que dicha actividad esté expresamente permitida por la ley aplicable, no obstante esta limitación. Usted no puede realizar cambios ni modificaciones al Software, ni el permiso escrito de un oficial de DSC. Usted no puede eliminar avisos de propiedad, marcas o atributos del Producto de Software. Usted deberá incluir en todas razonables que aseguran el cumplimiento de los términos y condiciones de este EULA.

(b) Separación de los Componentes — EL PRODUCTO DE SOFTWARE selecciona como un producto único. Sus partes componentes no pueden ser separados para el uso en más de una unidad de HARDWARE.

(c) Producto Único INTEGRADO — Si usted adquirió este SOFTWARE con HARDWARE, entonces el PRODUCTO DE SOFTWARE está licenciado con el HARDWARE como un producto único integrado. En este caso, el PRODUCTO DE SOFTWARE puede ser usado solamente con el HARDWARE, tal y como se establece más adelante en este EULA.

(d) Alquiler —Usted no puede alquilar, prestar o arrendar el PRODUCTO DE SOFTWARE. No puede disponibilizarlo o transferir su calgarlo en un servidor o una página web.

(e) Transferencia de Producto de Software —Usted puede transferir todos sus derechos bajo este EULA sólo como parte de una venta permanente o transferencia del HARDWARE, desde que usted no retenga copias y transfiera a todo el PRODUCTO DE SOFTWARE (incluyendo todos las partes componentes, los materiales impresos y electrónicos y cualquier actualización y/o EULA) y desde que el receptor esté conforme con los términos de este EULA. Si el PRODUCTO DE SOFTWARE es una actualización, cualquier transferencia debe incluir también todos las versiones previas del PRODUCTO DE SOFTWARE.

(f) Término - Sin perjuicio de cualesquiera otros derechos, DSC puede terminar este EULA si usted negligencia el cumplimiento de los términos y condiciones de este EULA. En tal caso, usted debe destruir todos las copias del PRODUCTO DE SOFTWARE y todos sus partes componentes.

Marcas registradas — Este EULA no le concede ningún derecho conectado con ninguna de las marcas registradas de DSC o de sus proveedores.

3. Todos los derechos de título y propiedad intelectual en este y relativos a este PRODUCTO DE SOFTWARE (incluyendo, pero no limitado a todos los, patentes, fotografías y textos incorporados al PRODUCTO DE SOFTWARE), los materiales impresos que acompañan, y todos las copias del PRODUCTO DE SOFTWARE, son propiedad de DSC o de sus proveedores. Usted no puede copiar los materiales impresos que acompañan al PRODUCTO DE SOFTWARE. Todos los títulos y derechos de propiedad intelectual en y relativos al contenido pueden ser cedidos a través del uso del PRODUCTO DE SOFTWARE solo de la propiedad de su respectivo propietario de contenido y pueden estar protegidos por derechos de autor o otros tratados y leyes de propiedad intelectual. Este EULA no le concede ningún derecho de uso, tal contenido. Todos los derechos no expresamente concedidos por este EULA están reservados a DSC y sus proveedores.

4. RESTRICCIONES DE EXPORTACIÓN - Usted se compromete a no exportar o reexportar el PRODUCTO DE SOFTWARE a ningún país, persona o entidad sujeta a las restricciones de exportación de Canadá.

5. ELECCIÓN DE LEY: Este Acuerdo de Acuerdo de Licencia de Software se rige por las leyes de la Provincia de Ontario, Canadá.

6. ARBITRAJE - Todos las disputas que surjan con relación a este Acuerdo de estarán determinados por medio del arbitraje final y vinculante, de acuerdo con el Arbitration Act, y las partes acuerdan someterse a la decisión del árbitro. El lugar de arbitraje será Toronto, Canadá, y la lengua de arbitraje será el inglés.

7. GARANTÍA LIMITADA

(a) SIN GARANTÍA - DSC PROVEE EL SOFTWARE "TAL COMO ES", SIN GARANTÍA. DSC NO GARANTIZA QUE EL SOFTWARE SATISFARÁ SUS NECESIDADES O QUE TAL OPERACIÓN DEL SOFTWARE SERÁ ININTERRUPTA O LIBRE DE ERRORES.

(b) CAMBIOS EN EL ENTORNO OPERATIVO - DSC no se responsabilizará de problemas causados por cambios en las características operativas del HARDWARE, o de problemas en la interacción del PRODUCTO DE SOFTWARE con SOFTWARE que no sea de DSC o con PRODUCTOS DE HARDWARE.

(c) LIMITACIÓN DE RESPONSABILIDAD, CUOTA DE RIESGO DE LA GARANTÍA - EN CUALQUIER CASO, SI ALGUNA LEY IMPLICA GARANTÍAS O CONDICIONES ESTABLECIDAS EN ESTE ACUERDO DE LICENCIA, TODA LA RESPONSABILIDAD DE DSC BAJO CUALQUIER DISPOSICIÓN DE ESTE ACUERDO DE LICENCIA SE LIMITARÁ A LA MAYOR CANTIDAD YA PAGADA POR USTED PARA LICENCIAR EL PRODUCTO DE SOFTWARE Y CUALQUIER DÓLARES CANADIENSES (CAD\$500), DEBIDO A QUE ALGUNAS JURISDICIONES NO ACEPTAN LA EXCLUSIÓN O LIMITACIÓN DE LA RESPONSABILIDAD PARA DAÑOS CONSECUTIVOS O INCIDENTALES. LAS LIMITACIONES CITADAS PUEDEN NO APLICARSE A USTED.

(d) EXENCIÓN DE LAS GARANTÍAS - ESTA GARANTÍA CONTIENE LA GARANTÍA COMPLETA Y ES VÁLIDA, EN LUGAR DE CUALQUIER OTRA GARANTÍA YA EXPRESA O IMPLÍCITA (INCLUYENDO TODAS LAS GARANTÍAS IMPLÍCITAS DE MERCANTILIDAD O APTITUD PARA UN PROPOSITO DETERMINADO) Y DE TODAS LAS OBLIGACIONES O RESPONSABILIDADES POR PARTE DE DSC. DSC NO CONCEDE OTRAS GARANTÍAS. DSC TAMPOCO ASUME NI AUTORIZA A NINGUNA OTRA PERSONA QUE PRETENDA ACTUAR EN SU NOMBRE PARA MODIFICAR O CAMBIAR ESTA GARANTÍA NI PARA ASUMIR PARA ELLA NINGUNA OTRA GARANTÍA O RESPONSABILIDAD RELATIVA A ESTE PRODUCTO DE SOFTWARE.

(e) REPARACIÓN EXCLUSIVA Y LIMITACIÓN DE LA GARANTÍA - BAJO NINGUNA CIRCUNSTANCIA DSC SERÁ RESPONSABLE DE CUALQUIER DAÑO ESPECIAL, IMPREVISTO O CONSECUENTE DAÑOS INDIRECTOS BASADOS EN INFRACCIÓN DE LA GARANTÍA, INFRACCIÓN DEL CONTRATO, NEGLIGENCIA, RESPONSABILIDAD ESTRICTA O CUALQUIER OTRA TEORÍA LEGAL. TALES DAÑOS INCLUYEN, PERO NO SE LIMITAN, A PÉRDIDAS DE BENEFICIOS, PÉRDIDA DEL PRODUCTO DE SOFTWARE O CUALQUIER EQUIPO ASOCIADO, COSTE DE CAPITAL, COSTE DE SUSTITUCIÓN O REEMPLAZO DE EQUIPO, INSTALACIONES O SERVICIOS, DOWN TIME, TIEMPO DEL COMPUTADOR, REINVOCAACIONES DE TERCEROS, INCLUYENDO CLIENTES, Y DAÑOS A LA PROPIEDAD. ADVERTENCIA: DSC recomienda que se pruebe todo el sistema completamente de modo regular. Sin embargo, a pesar de las pruebas frecuentes, y debido a ellas, pero no limitado a las mismas, intentos criminales de forzarlo o interrupción eléctrica, es posible que este PRODUCTO DE SOFTWARE falle con relación al desempeño esperado.

DECLARACIÓN DE CONFORMIDAD DE FCC

PRECAUCIÓN: Los cambios o las modificaciones que no están expresamente aprobadas por DSC pueden anular su autoridad de usar este equipo.

Este equipo genera y utiliza energía de radiofrecuencia y si no se instala y utiliza apropiadamente, en estricta conformidad con las instrucciones del fabricante, puede causar interferencia a la recepción de radio y de televisión. Se ha probado y encontrado conforme con los límites del dispositivo Clase B, de acuerdo con las especificaciones en Subparte "B" de la Parte 15 de las Reglas FCC, que están diseñadas para proporcionar protección razonable contra tal interferencia en cualquier instalación residencial. No obstante, no hay garantía de que no ocurra interferencia en una instalación en particular. Si este equipo provoca interferencia a la recepción de radio o de televisión, la cual puede detenerse o al aparar, y al encender el equipo, se le recomienda al usuario intentar corregir la interferencia tomando una o más de las siguientes medidas:

- Reorientar la antena de recepción

- Mover el control de alarma con respecto al receptor

- Mover el control de alarma a los lejos del receptor

- Conectar el control de alarma en una salida diferente a fin de que el control de alarma y el receptor estén en circuitos diferentes.

De ser necesario, el usuario debe consultar con el distribuidor o con un técnico especializado en radio/televisión por sugerencias adicionales. Puede que el siguiente folleto preparado por la FCC sea útil para el usuario: "How to Identify and Resolve Radio/Television Interference Problems" (Cómo identificar y resolver problemas de interferencia de radio/televisión). Este instructivo está disponible por la Oficina de Impresión del Gobierno de los Estados Unidos, Washington D.C. 20402, número de artículo 004-000-00345-4.

Industria Canada

CAN ICES-308/NMB-3(B)

ES Certificación

El modelo HSM2108 ha sido certificado por Telecommunication de acuerdo con EN50131-1:2006 + A1:2009 y EN50131-3:2009, para grado 2, clase II.

PowerSeries



HSM2108 v1.1 Instruções de Instalação

Módulos expansor zona 8

Esta folha de instalação deve ser usada em conjunto com o Manual de Instalação do equipamento DSC ao qual o HSM2108 está conectado ou pelo qual é alimentado (por ex. controlador de alarme, fonte de alimentação, etc.). O módulo HSM2108 pode ser usado para aumentar até 8 zonas de entrada cabeadas no Painel de Controle de Alarme DSC compatível (Painel de Alarme), modelos HS2016, HS2032, HS2064 e HS2128.

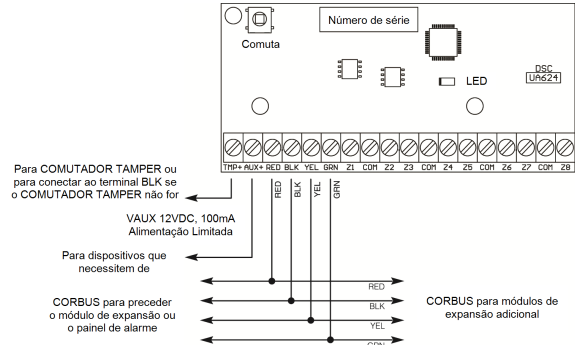
Geral

O HSM2108 pode ser instalado com o mesmo armário metálico que o controlador de alarme/fonte de alimentação (modelo Power UC1, PC5003C) ou em caixa separada (PC4003C). Desconecte a alimentação AC e as conexões da bateria do painel e desconecte a linha telefônica. A fiação interna e/ou externa para este HSM2108 deve ser encaminhada, suportada, grampeada ou fixada de uma maneira que reduza a probabilidade de: (a) distensão exagerada no fio e nas conexões do terminal, (b) liberação das conexões do terminal e (c) danos no isolamento do condutor.

Especificações

- Limite de temperatura: -10°C a +55°C (0°C a +49°C para sistemas listados UL/ULC)
- Umidade relativa: 93% não-condensação
- Tensão de entrada: 12.5VDC/130mA (fornecida pelo controlador de alarme ou por fonte de alimentação separada)
- Placa de corrente: 30mA
- Dimensões da placa: 45mm x 92mm; Peso: 35g
- Tensões VAUX de saída: 12.5VDC, -15%/ +15% quando a voltagem de entrada está entre 85% a 110% do valor nominal e corrente de saída está entre 0mA - 100mA máx.
- Fusível interno ajustável (PTC) usado na placa de circuito em vez de fusíveis substituíveis
- Comprimento máximo do fio desde o painel de alarme: 1000'/305m

Descrições do Terminal



TMP - Usado para tamper da caixa na qual o HSM2108 está montado. Conecte a um comutador normalmente fechado (NC) através de TAM e PRETO. Se o tamper não for usado, conecte um pedaço de fio através de TMP e BLK para remover a condição do problema. Existe no módulo expansor um comutador tamper integrado localizado no canto superior esquerdo da placa de circuito. Se a caixa na qual o HSM2108 está montado possuir o equipamento necessário para pressionar o comutador de tamper, não conecte nada ao terminal TAM.

NOTA:A proteção de tamper é necessária para instalações de roubo comercial/residencial com classificação UL/ULC.

AUX+ - Usado terminal é usado para fornecer alimentação para dispositivos. A corrente máxima da placa não pode exceder 100 mA. Conecte o terminal positivo dos dispositivos alimentados para VAUX e o negativo ao terminal BLK ou qualquer COM.

CORBUS - A conexão Corbus 4-vias é usada pelo painel para comunicar com o módulo. Conecte os terminais RED, BLK, YEL e GRN aos terminais Corbus no painel principal HS2016, HS2032, HS2064 ou HS2128.

Z1 a Z8 - Conectar as zonas de acordo com a descrição indicada no Manual de Instalação do painel de controle.

NOTA:As instalações com classificação UL/ULC exigem configuração fim-de-linha único ou fim-de-linha duplo com resistores 5600Ω.

Caixas

O HSM2108 deve ser instalado em caixas de metal como indicado abaixo. Os comutadores de proteção de bloqueamento podem ser instalados em todas as caixas, incluindo a proteção de abertura da porta e/ou remoção da posição de montagem. As portas devem ser fixadas usando parafusos ou fechadura.

- Modelo PC5003C (porta removível) feita em aço 22Ga, pintado. 248mm(C) x 298mm(L) x 76mm(A), Peso: 1500g
- Modelo PC5003C (porta com dobradiças) feita em aço espesso 1,2mm, pintado. 248mm(C) x 298mm(L) x 76mm(A), Peso: 2500g
- Modelo Power UC1 feito em aço 18Ga, pintado. 315mm(C) x 319mm(L) x 100mm(A), Peso: 3150g
- Modelo PC4003C feito em aço 18Ga, pintado. 230mm(C) x 180mm(L) x 75mm(A), Peso: 1050g

NOTA: Use PC4003C ou PC5003C para instalações com classificação UL/ULC.

Registrar automaticamente no Painel de Alarme

Sempre que um HSM2108 é registrado no painel de alarme, inclui o próximo conjunto de 8 portas disponíveis. Para registrar o HSM2108 siga os seguintes passos:

- Certifique que o sistema não está conectado.
- Conecte o HSM2108 ao Corbus.
- Inicialize o sistema.
- Entre na seção [902] [000] e aguarde 1 minuto.
- Entre na seção [903] [102] para verificar se o módulo está supervisionado.
- Defina as zonas na seção [001].
- Configure os atributos da zona na seção [002]
- Adicione as zonas à partição adequada nas seções [201]-[208].

Registrar manualmente no Painel de Alarme

Sempre que um HSM2108 é registrado no painel de alarme, inclui o próximo conjunto de 8 portas disponíveis. Para registrar o HSM2108 siga os seguintes passos:

- Certifique que o sistema não está conectado.
- Conecte o HSM2108 ao Corbus.
- Inicialize o sistema.
- Entre na seção [902] [001].
- Insira o número de série do módulo.
- Entre na seção [903] [102] para verificar se o módulo está supervisionado.
- Defina as zonas na seção [001].
- Configure os atributos da zona na seção [002]
- Adicione as zonas à partição adequada nas seções [201]-[208].

LED Estado

O HSM2108 podem possuir LEDs de status para indicar a condição atual do módulo. Se o HSM2108 estiver a funcionar corretamente, o estado LED ficará a piscar brevemente a cada 10 segundos. Quando houver uma condição de problema, o LED de condição exibirá uma série de flashes e depois ficará em branco durante 1,7 segundos. O número de flashes entre os períodos em branco indica a condição de problema presente, como indicado na tabela abaixo.

Número de flashes	Condição de Problema
1	Módulo não registrado
2	Problema de supervisão do painel de alarme
3	Baixa tensão CORBUS

Garantia Limitada

A Digital Security Controls (DSC) garante que, durante um período de 12 meses a partir da data de compra, o produto está isento de defeitos do material e de fabricação utilização normal e que, no cumprimento de eventuais falhas abrangidas por garantia, a Digital Security Controls reparará ou substituirá, conforme o caso, o equipamento em defeituoso após a devolução deste ao seu centro de reparações. Esta garantia abrange apenas defeitos em peças e de fabricação não abrangendo danos ocorridos durante o envio ou manuseio, ou danos causados por factos para além do controlo da Digital Security Controls, como a raios, voltagem excessiva, choque mecânico, danos causados por água ou danos resultantes de abuso, alteração ou aplicação incorrecta do equipamento.

A garantia precedente aplica-se apenas ao comprador original, sobrepondo-se a todas a quaisquer outras garantias explícitas ou implícitas, ou impressões, e a todas a quaisquer outras abrangências e responsabilidades por parte de DSC. Esta garantia contém toda a garantia. A Digital Security Controls não assume qualquer responsabilidade por, nem, nem faz nenhuma pessoa que afirma expressamente a modificar ou alterar esta garantia, nem a assumir qualquer outra garantia ou responsabilidade relativa a este produto. Em circunstância alguma se a DSC responsável por quaisquer danos directos, indirectos ou consequencias, perda de lucros previstos, perda de tempo ou quaisquer outras perdas incorridas pelo comprador relacionadas com o compra, instalação, operação ou falha deste produto.

Aviso: A Digital Security Controls recomenda que todo o sistema seja testado de forma integral periódica mente. No entanto, apesar de testes frequentes, é possível que este produto não funcione como esperado devido à, mas não limitado à, alteração de críminosa ou distorção de electricidade.

IMPORTANTE LEIA COM ATENÇÃO. O software DSC, adquirido com os seus Produtos e Componentes, respeita leis de direitos de autor e é comprado com o acção das seguintes termos de licenciamento.

O Contrato de Licença do Utilizador Final (LUF) (End User License Agreement ("EULA")) é um acordo legal entre a V. Exa.(em prosa, indivíduo ou entidade que adquiro o Software ou qualquer Hardware e relacionado) e a Digital Security Controls, uma divisão da Tyco Security Products (Canada) Ltd. ("DSC"), o fabricante dos sistemas de segurança integrados e o proprietário do software e quaisquer produtos ou componentes relacionados ("HARDWARE") que V. Exa. adquiriu. Se for suposto o software de produto DSC ("PROGRAMA" ou "SOFTWARE") vir acompanhado de HARDWARE, a severificar que NÃO vem acompanhado do novo HARDWARE, V. Exa. não poderá utilizar, copiar ou instalar o PROGRAMA. O PROGRAMA inclui o software, e poderá incluir meios associados, materiais impressos e documentação electrónica ou disponível "online". Qualquer software fornecido com o PROGRAMA que esteja associado a um contrato de licença do utilizador final em separado está licenciado a V. Exa. nos termos desse mesmo contrato de licença.

À instalação, cópia, descargas, em qualquer, acção, ou outro, utilização do PROGRAMA, V. Exa. concorda incondicionalmente em respeitar os termos desta LUF (EULA), mesmo que a LUF (EULA) seja considerado como uma modificação de quaisquer acordos ou contratos prévios. Se V. Exa. não concordar com os termos desta LUF (EULA) a DSC não irá licenciar o PROGRAMA a V. Exa., e V. Exa. não terá direito à sua utilização.

LICENÇA DO PROGRAMA

O PROGRAMA está protegido por leis de direitos de autor e tratados internacionais de direitos de autor, bem como por outros tratados e leis de propriedade intelectual. O PROGRAMA é licenciado, não vendido.

1. Este LUF (EULA), concede a V. Exa. os seguintes direitos:

(a) Instalação e Uso do Software – Para cada cópia que V. Exa. adquirir, apenas poderá ter uma cópia do PROGRAMA instalada.

(b) Armazenamento e Uso em Rede – O PROGRAMA não pode ser instalado, accedido, apresentado, executado, partilhado ou utilizado de forma concomitante em ou para partir de diferentes computadores, incluindo estações de trabalho, terminais ou outros dispositivos electrónicos digitais ("Dispositivo"). Por outros palavras, se V. Exa. tem várias estações de trabalho, terá o direito de adquirir uma licença para cada estação de trabalho onde o SOFTWARE vai ser utilizado.

(c) Cópia de Segurança – V. Exa. poderá efectuar cópias de segurança do PROGRAMA, mas poderá apenas ter uma cópia por cada licença instalada numa determinada altura. V. Exa. apenas poderá utilizar a cópia de segurança para efeitos de backup. Excepto quando expressamente mencionado neste LUF (EULA), V. Exa. não poderá efectuar cópias do PROGRAMA, incluindo os materiais impressos que acompanham o SOFTWARE.

2. DESCRIÇÃO DE OUTROS DIREITOS E LIMITAÇÕES.

(a) Limitações sobre Engenharia Inversa, Descompilação e Desmontagem – V. Exa. não poderá fazer engenharia inversa, descompilação ou desmontagem do PROGRAMA, excepção feita à actividade cuja extensão é permitida por lei aplicável, sem oposição a esta limitação. V. Exa. não poderá efectuar alterações ou modificações ao Software, sem a autorização escrita por parte de um responsável da DSC. V. Exa. não poderá envolver meios de propriedade, marcas ou etiquetas do Programa. V. Exa. não instituir medidas e responsabilidades para que possa garantir a conformidade com os termos e condições deste LUF (EULA).

(b) Separação de Componentes - O PROGRAMA é licenciado como um produto único. As partes que constitúem não podem ser separados por utilização em mais do que uma unidade de HARDWARE.

(c) PRODUTO ÚNICO INTEGRADO – Se V. Exa. adquirir este SOFTWARE com HARDWARE, então o PROGRAMA é licenciado como o HARDWARE como um produto único integrado. Neste caso, o PROGRAMA só pode ser utilizado com o HARDWARE, como determinado neste LUF (EULA).

(d) Alterar e Transferir – V. Exa. não poderá alterar ou transferir o PROGRAMA. V. Exa. não poderá disponibilizá-lo a outros ou colocá-lo num servidor ou página Web.

(e) Transferência do Programa – V. Exa. poderá a transferir todos os seus direitos abrangidos por esta LUF (EULA) apenas como a parte de uma venda ou transferência permanente do HARDWARE, desde que V. Exa. não fique com quaisquer cópias, transferir todo o PROGRAMA (incluindo todos os componentes, e meios e materiais impressos, quaisquer upgrades e este LUF (EULA)), desde que o receptor concorde com os termos deste LUF (EULA). Se o PROGRAMA for um upgrade, qualquer transferência deverá incluir todos os versões anteriores do PROGRAMA.

(f) Extinção – Sem prejuízo a quaisquer outros direitos, a DSC pode terminar este LUF (EULA) se V. Exa. falhar no cumprimento dos termos e condições deste LUF (EULA). Se tal acontecer, V. Exa. deverá destruir todas as cópias do PROGRAMA e todos os seus componentes.

(g) Marcas Registradas - Este LUF (EULA) não concede a V. Exa. quaisquer direitos em relação a quaisquer marcas registadas ou de serviço da DSC ou seus fornecedores.

3. DIREITOS DE AUTOR. Todos os títulos de direitos de propriedade intelectual no e para o PROGRAMA (incluindo, mas não limitando, quaisquer imagens, fotografias e texto incorporado no PROGRAMA) os materiais impressos que o acompanham ou quaisquer cópias do PROGRAMA, são propriedade da DSC ou dos seus fornecedores, não podendo ser copiados ou reproduzidos sem a autorização expressa do proprietário do PROGRAMA. Todos os títulos e direitos de propriedade intelectual no e para o conteúdo que poderá vir a ser accedido através do uso do PROGRAMA são propriedade dos respectivos proprietários do conteúdo e poderão ser direitos de autor aplicáveis aos textos tratados a nível de propriedade intelectual. Este LUF (EULA) não confere a V. Exa. quaisquer direitos sobre o uso desses conteúdos. A DSC e os seus fornecedores reservam todos os direitos não expressos no âmbito deste LUF (EULA).

4. RESTRIÇÕES À EXPORTAÇÃO. V. Exa. assume que não exportará o receptor do PROGRAMA para qualquer país, indivíduo ou entidade sujeita a restrições de exportação Canadenses.

5. LEGISLAÇÃO APLICÁVEL. Este Acordo de Licença de Software é regido pelas leis da Província de Ontário, Canadá.

6. ARBITRAGEM. Todos os conflitos emergentes da relação com este Acordo serão determinados por arbitragem final e mandatória no abrigo do Arbitration Act, ficando as partes sujeitas à decisão arbitral. O local designado para a arbitragem será Toronto, no Canadá, e o idioma utilizado na arbitragem será o Inglês.

7. LIMITES DE GARANTIA

(a) ISENÇÃO DE GARANTIA. A DSC FORNECE SOFTWARE "TAL COMO ESTÁ" SEM GARANTIA. A DSC NÃO GARANTE QUE O SOFTWARE IRÁ AO ENCONTRO DOS SEUS REQUISITOS OU QUE O FUNCIONAMENTO DO SOFTWARE SEJA ININTERRUPTO OU LIVRE DE ERROS.

(b) ALTERAÇÕES AO AMBIENTE OPERATIVO. A DSC não se responsabiliza por problemas causados por alterações às características operativas do HARDWARE, ou por problemas ou interrupções do PROGRAMA com SOFTWARE ou HARDWARE não produzido pela DSC.

(c) LIMITAÇÕES DE RESPONSABILIDADE. A GARANTIA REFLECTE A ALOCAÇÃO DE RISCO - EM QUALQUER CASO, SE ALGUM ESTATUTO IMPLICAR GARANTIAS OU CONDIÇÕES NÃO MENCIONADAS NESTE ACORDO DE LICENÇA, A RESPONSABILIDADE TOTAL DA DSC NÃO SERÁ SUPERADO AO VALOR EFECTIVAMENTE PAGO PROPRIETÁRIO PELA LICENÇA DESTA PROGRAMA E CINCO DOLÁRES CANADIANOS (CAD\$50), PORQUE ALGUMAS JURISDIÇÕES NÃO PERMITEM EXCLUSÃO OU LIMITAÇÃO DE RESPONSABILIDADE PARA DANOS CONSEQUENTES OU ACIDENTAIS. A LIMITAÇÃO ACIMA INDICADA PODERÁ NÃO SE APLICAR A VEXA.

(d) ISENÇÃO DE GARANTIAS. ESTA GARANTIA CONTÉM A GARANTIA COMPLETA E DEVERÁ PREVALECER SOBRE TODA E QUALQUER GARANTIA, EXPRESSA OU IMPLÍCITA (INCLUINDO TODAS AS GARANTIAS DE COMERCIALIZAÇÃO OU ADAPTAÇÃO PARA UM DETERMINADO FIM). EA TODAS AS OUTRAS RESPONSABILIDADES POR PARTE DA DSC. A DSC NÃO DÁ QUALQUER OUTRAS GARANTIAS. A DSC NÃO ASSUME NEM AUTORIZA QUALQUER OUTRA PESSOA A AGIR EM SEU NOME NA MODIFICAÇÃO DESTA GARANTIA, NEM PARA QUE POSSA ASSUMIR POR SI DCS QUALQUER OUTRA GARANTIA OU RESPONSABILIDADE RELACIONADA COM ESTE PROGRAMA.

(e) DIREITOS EXCLUSIVOS E LIMITAÇÃO DE GARANTIA. EM NENHUMA CIRCUNSTÂNCIA SERÁ A DSC RESPONSABILIZADA POR QUAISQUER DANOS ESPECIAIS, ACIDENTAIS, CONSEQUENTES OU INDIRECTOS RESULTANTES DE FALHAS NA GARANTIA, FALHAS NO CONTRATO, NEGLIGÊNCIA, RESPONSABILIDADE OBJECTIVA, OU QUAISQUER OUTRAS TEÓRIAS LEGAIS. TAIS DANOS INCLUEM, MAS NÃO SE LIMITAM, PERDA DE LUCROS, PERDA DO PROGRAMA, OU EQUIPAMENTO ASSOCIADO, CUSTO DE CAPITAL, CUSTOS COM EQUIPAMENTO DE SUBSTITUIÇÃO, INSTALAÇÕES OU SERVIÇOS, TEMPO ADICIONAL DE COMPRA, EXIGÊNCIAS DE TERCEIROS, INCLINDO CLIENTES, E PREJUÍZO SOBRE A PROPRIEDADE. ATENÇÃO: A DSC recomenda que todo o sistema seja completamente e testado numa base de regularidade. Likéval, selv ved reglémessigt testning, vil det grummet, man ikke begræstret til dette, kriminel sabotage eller elektriske forstyrrelser, vandre muligt dette PROGRAMVAREPRODUKTET ikke vil yte som forventet.

DECLARAÇÃO CONFORMIDADE FCC

CUIDADO: Alterações ou modificações não expressamente aprovadas pelo Digital Security Controls podem anular sua permissão para usar este equipamento.

Este equipamento é para e é utilizado em regime de radiodifusão e é classificado como equipamento de Classe B de acordo com as especificações de subseção "B" do Parte 15 das Regras FCC, que visam fornecer protecção razoável contra tais interferências, mesmo que instalado residencial. Menor Times podem garantir que tal interferência não ocorrerá se o equipamento for instalado de acordo com as especificações de subseção "B" do Parte 15 das Regras FCC, que visam fornecer protecção prejudicial na recepção de rádio ou televisão, o que pode ser determinado contactando o equipamento, o usuário é encorajado a corrigir a interferência através de uma ou mais das seguintes medidas:

Reorientar o antena receptor

Desligue o controle do alarme e o receptor

Afastar o controle do alarme do receptor

Conecte o controle do alarme em uma tomada diferente de forma que o controle do alarme e o receptor estejam em circuitos diferentes

Caso seja necessário, o usuário deve consultar o comerciante ou um técnico de televisão/rádio experiente para sugestões adicionais. O usuário pode achar de utilidade esta brochura preparada pela FCC: "How to Identify and Resolve Radio/Television Interference Problems" (Como identificar e solucionar problemas de interferência de rádio/televisão). Esta brochura está disponível no U.S. Government Printing Office, Washington D.C. 20402, Stock #F 004-000-00345-4.

Industry Canada

CAN ICES-3091MB-3(B)

PT Certificação

O modelo HSM2108 foi certificado pelo Telecommunication Commission e EN50131-1:2006 + A1:2009 e EN50131-3:2009, para o Grau 2, Classe II.

PowerSeries

neo



DSC
From Tyco Security Products

©2014 Digital Security Controls Toronto, Canada

www.dsc.com Tech. Support: 1-800-387-3630