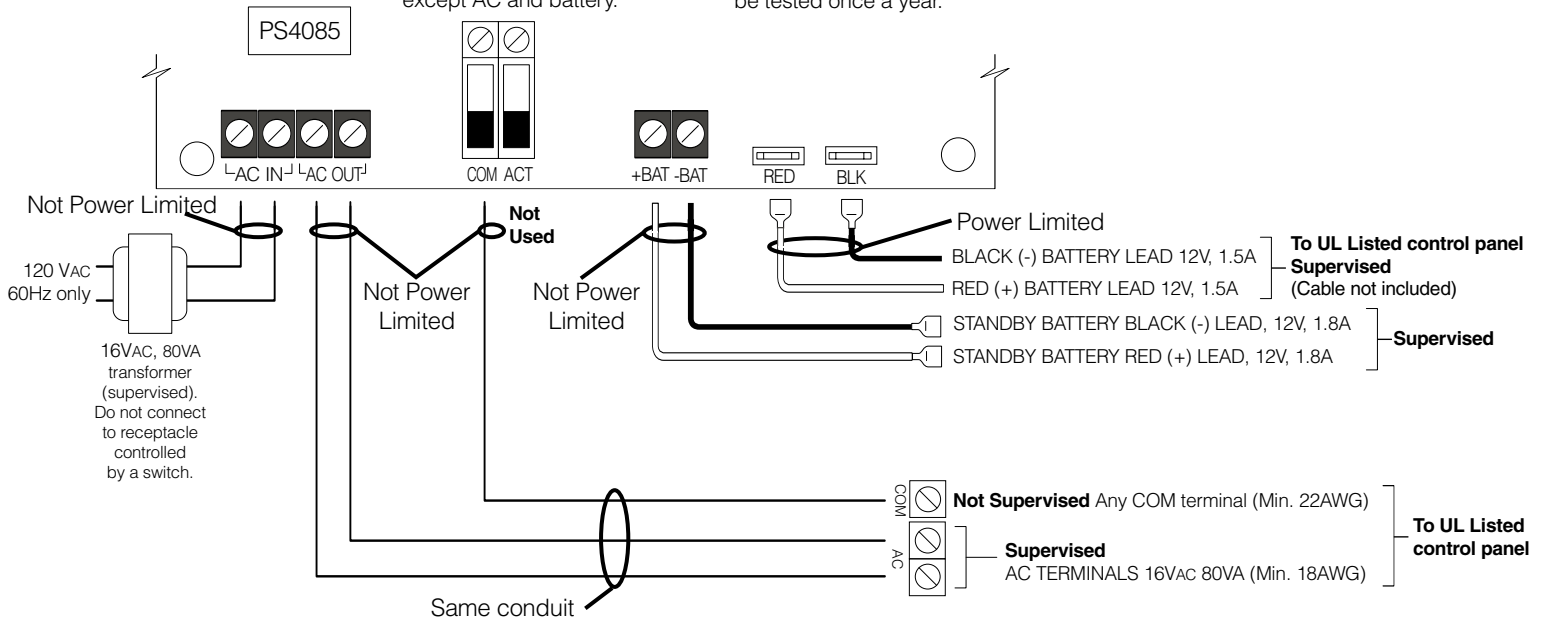


PS5350 Wiring Diagram

All circuits are power limited except AC and battery.

NOTE: This product must be tested once a year.



Mounting the Cabinet

When mounting the cabinet for the PS5350, select a dry location within 1m/3.3ft of the control panel. To mount the cabinet you will need:

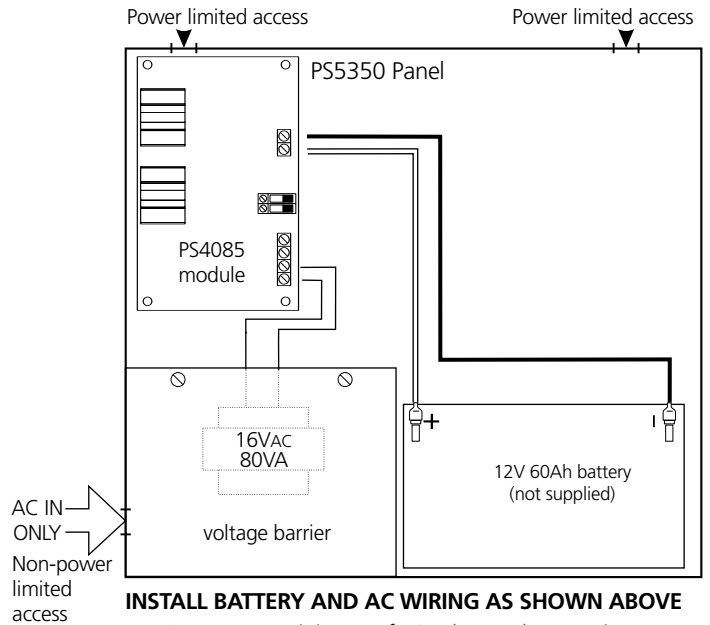
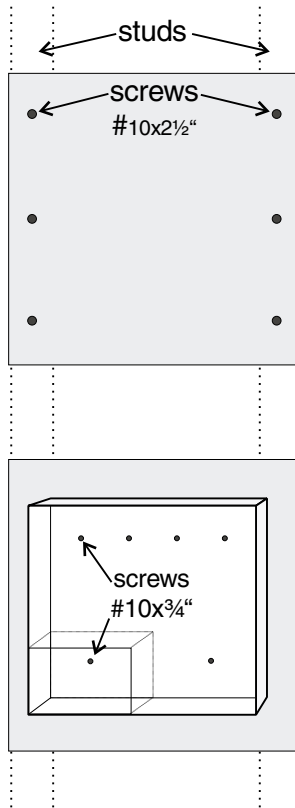
- six - #10x2½" round head, steel wood-screws (not supplied)
- six - #10x¾" round head, steel wood-screws (not supplied)
- one - 20"x20"x¾" sheet of plywood (not supplied)
- screwdriver (not supplied)
- stud finder (not supplied)

To mount the cabinet:

1. Using the stud finder, find a mounting location where the plywood sheet can be mounted to 2 different studs, as shown.

When mounting the plywood, ensure that the bottom of the cabinet will not be less than 16" and not more than 48" from the floor.

2. Attach the plywood to the wall using the six #10x2½" wood-screws.
3. From the back of the cabinet, press the four white circuit board standoffs into the raised mounting holes.
4. Holding the cabinet in position, pull all wiring into the cabinet through the hole in the back.
5. Using the six #10x¾" wood-screws, mount the cabinet securely to the plywood sheet, as shown.
6. Press the PS4085 module onto the plastic standoffs.



INSTALL BATTERY AND AC WIRING AS SHOWN ABOVE

IMPORTANT: A minimum of 1/4" (6.4mm) separation must be maintained at all points between power limited wiring and all other non-power limited wiring and connections. Wire entry for power limited wiring must be separate from non-power limited wiring.

NOTE: Make sure that you follow the recommendations of the battery manufacturer. Battery replacement should be performed as per the recommendations of the battery manufacturer, or every 5 years.

NOTE: To determine the battery size required, please refer to the battery calculation chart provided with the panel.

WARNING: Not to be removed by anyone except occupant.

