

Terminal Connections

TAM - This can be used to provide tamper protection for the cabinet where the PC5108RD is mounted. Connect a normally closed (NC) switch across TAM and BLK. If the tamper is not being used connect a piece of wire across TAM and BLK to remove the trouble condition.

VAUX - Used to provide power for devices. The maximum current draw must not exceed 100mA. Connect the positive lead of powered devices to VAUX and the negative to BLK or any COM terminal.

KEYBUS - The 4-wire KEYBUS connection is used by the panel to communicate with the module. Connect the RED, BLK, YEL and GRN terminals to the KEYBUS terminals on the PC5009.

Z1 - Z8 - Wire the zones according to the description found in the control panel *Installation Manual*.

LIMITED WARRANTY

Digital Security Controls Ltd. warrants that for a period of twelve months from the date of purchase, the product shall be free of defects in material and workmanship under normal use and that in fulfilment of any breach of such warranty, Digital Security Controls Ltd. shall, at its option, repair or replace the defective equipment upon return of the equipment to its repair depot. This warranty applies only to defects in parts and workmanship and not to damage incurred in shipping or handling, or damage due to causes beyond control of Digital Security Controls Ltd. such as lightning, excessive voltage, mechanical shock, water damage, or damage arising out of abuse, alteration or improper application of the equipment. The foregoing warranty shall apply only to the original buyer, and is and shall be in lieu of any and all other warranties, whether express or implied and of all other obligations or liabilities on the part of Digital Security Controls Ltd. This warranty contains the entire warranty. Digital Security Controls Ltd. neither assumes responsibility, nor authorizes any other person purporting to act on its behalf to modify or to change this warranty, nor to assume for it any other warranty or liability concerning this product. In no event shall Digital Security Controls Ltd. be liable for any direct, indirect or consequential damages, loss of anticipated profits, loss of time or any other losses incurred by the buyer in connection with the purchase, installation or operation or failure of this product.

WARNING: DSC Ltd. recommends that the entire system be completely tested on a regular basis. However, despite frequent testing, and due to but not limited to, criminal tampering or electrical disruption, it is possible for this product to fail to perform as expected.

PC5108RD Installation Instructions

The PC5108RD module can be used to add up to 8 additional hardwired zones to the PC5009 control panel (see the control panel *Installation Manual* for complete installation instructions).

Specifications

- Module Current Draw: 35 mA
- Auxiliary Current: 100 mA (PTC protected - fuseless design)

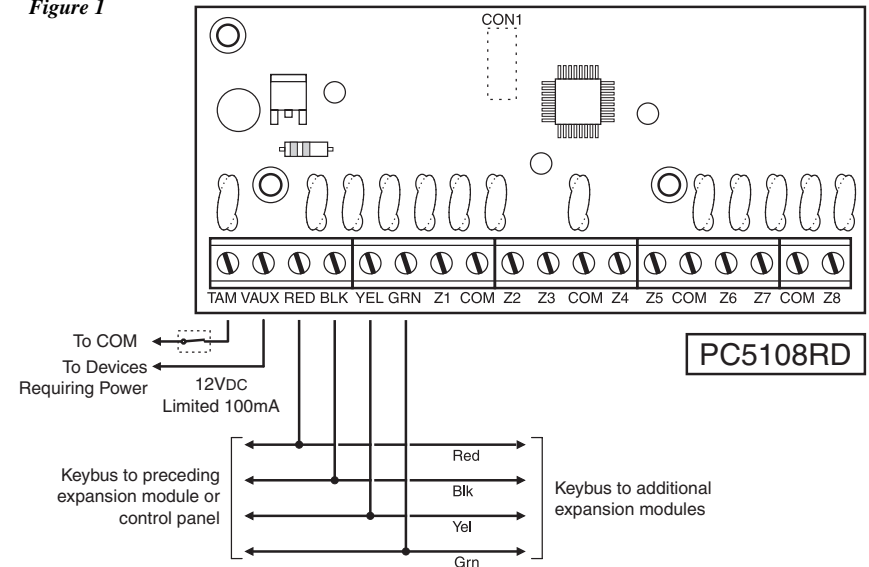
Terminal Connections

The PC5108RD terminal strip provides connection to the PC5009 control panel and other devices. Refer to figure 1 and the PC5009 *Installation Manual* for more details.

To Add Hardwired Zones to a Control Panel

1. Connect module to the Keybus (with the panel powered down).
2. Power up the system.
3. Enter section [902] and wait 1 minute.
4. Enter section [903] to verify that the module is supervised.
5. Define the zones in section [002].

Figure 1



©2002 Digital Security Controls Ltd.
Toronto, Canada • www.dsc.com
Tech Support: 1-800-387-3630 (Canada & US) or 905-760-3036
Printed in Canada 29034632 Rev 002

Direct all comments concerning this publication to pubs@dsciltd.com



PowerSeries™

8 Zone Expander
version 3.0

Terminal Connections

TAM - This can be used to provide tamper protection for the cabinet where the PC5108RD is mounted. Connect a normally closed (NC) switch across TAM and BLK. If the tamper is not being used connect a piece of wire across TAM and BLK to remove the trouble condition.

VAUX - Used to provide power for devices. The maximum current draw must not exceed 100mA. Connect the positive lead of powered devices to VAUX and the negative to BLK or any COM terminal.

KEYBUS - The 4-wire KEYBUS connection is used by the panel to communicate with the module. Connect the RED, BLK, YEL and GRN terminals to the KEYBUS terminals on the PC5009.

Z1 - Z8 - Wire the zones according to the description found in the control panel *Installation Manual*.

LIMITED WARRANTY

Digital Security Controls Ltd. warrants that for a period of twelve months from the date of purchase, the product shall be free of defects in material and workmanship under normal use and that in fulfilment of any breach of such warranty, Digital Security Controls Ltd. shall, at its option, repair or replace the defective equipment upon return of the equipment to its repair depot. This warranty applies only to defects in parts and workmanship and not to damage incurred in shipping or handling, or damage due to causes beyond control of Digital Security Controls Ltd. such as lightning, excessive voltage, mechanical shock, water damage, or damage arising out of abuse, alteration or improper application of the equipment. The foregoing warranty shall apply only to the original buyer, and is and shall be in lieu of any and all other warranties, whether express or implied and of all other obligations or liabilities on the part of Digital Security Controls Ltd. This warranty contains the entire warranty. Digital Security Controls Ltd. neither assumes responsibility, nor authorizes any other person purporting to act on its behalf to modify or to change this warranty, nor to assume for it any other warranty or liability concerning this product. In no event shall Digital Security Controls Ltd. be liable for any direct, indirect or consequential damages, loss of anticipated profits, loss of time or any other losses incurred by the buyer in connection with the purchase, installation or operation or failure of this product.

WARNING: DSC Ltd. recommends that the entire system be completely tested on a regular basis. However, despite frequent testing, and due to but not limited to, criminal tampering or electrical disruption, it is possible for this product to fail to perform as expected.

PC5108RD Installation Instructions

The PC5108RD module can be used to add up to 8 additional hardwired zones to the PC5009 control panel (see the control panel *Installation Manual* for complete installation instructions).

Specifications

- Module Current Draw: 35 mA
- Auxiliary Current: 100 mA (PTC protected - fuseless design)

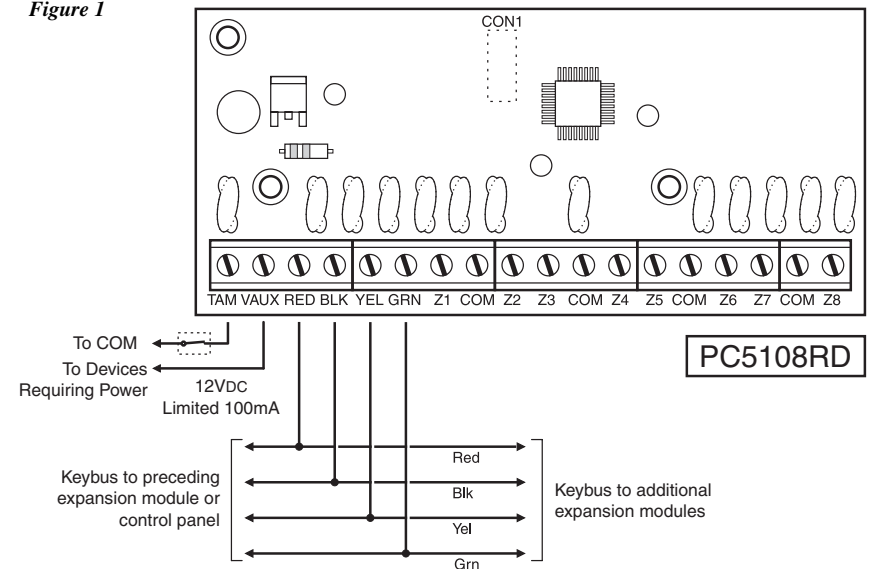
Terminal Connections

The PC5108RD terminal strip provides connection to the PC5009 control panel and other devices. Refer to figure 1 and the PC5009 *Installation Manual* for more details.

To Add Hardwired Zones to a Control Panel

1. Connect module to the Keybus (with the panel powered down).
2. Power up the system.
3. Enter section [902] and wait 1 minute.
4. Enter section [903] to verify that the module is supervised.
5. Define the zones in section [002].

Figure 1



©2002 Digital Security Controls Ltd.
Toronto, Canada • www.dsc.com
Tech Support: 1-800-387-3630 (Canada & US) or 905-760-3036
Printed in Canada 29034632 Rev 002

Direct all comments concerning this publication to pubs@dsciltd.com



PowerSeries™

8 Zone Expander
version 3.0