

PG4HRDW8

(PowerG Hardwired to Wireless Converter)



Technical Manual



This manual contains detailed technical information as well as regulation information. The entire manual should be carefully read.

Table of Contents

1. Introduction
2. Technical Specifications
3. Block Diagram
4. Regulatory Statement

1. Introduction

The PG4HRDW8 is a two-way wireless PowerG Hardwired to Wireless Converter. The device has the following features:

- Functions in temperature range -10 °C to +55 °C and up to 93%RH
- Powered by external AC/DC adapter with output rated 18V/2.2A and provided with rechargeable, 24h backup battery, rated 12V/7Ah
- Integrated tamper protection for enclosure door opening and removal of enclosure from mounting position
- Eight hard-wired zone inputs, programmable as either NO, NC, or EOL or DEOL for use with hardwired initiating devices
- Corbus connectivity for adding Keypads, zone expanders or additional power supplies in the system
- Four programmable outputs and one Bell output
- Automatic periodic supervision at regular intervals
- Integral RF transmitter circuitry using PowerG two-way protocol, operating in 433MHz band

2. Technical Specifications

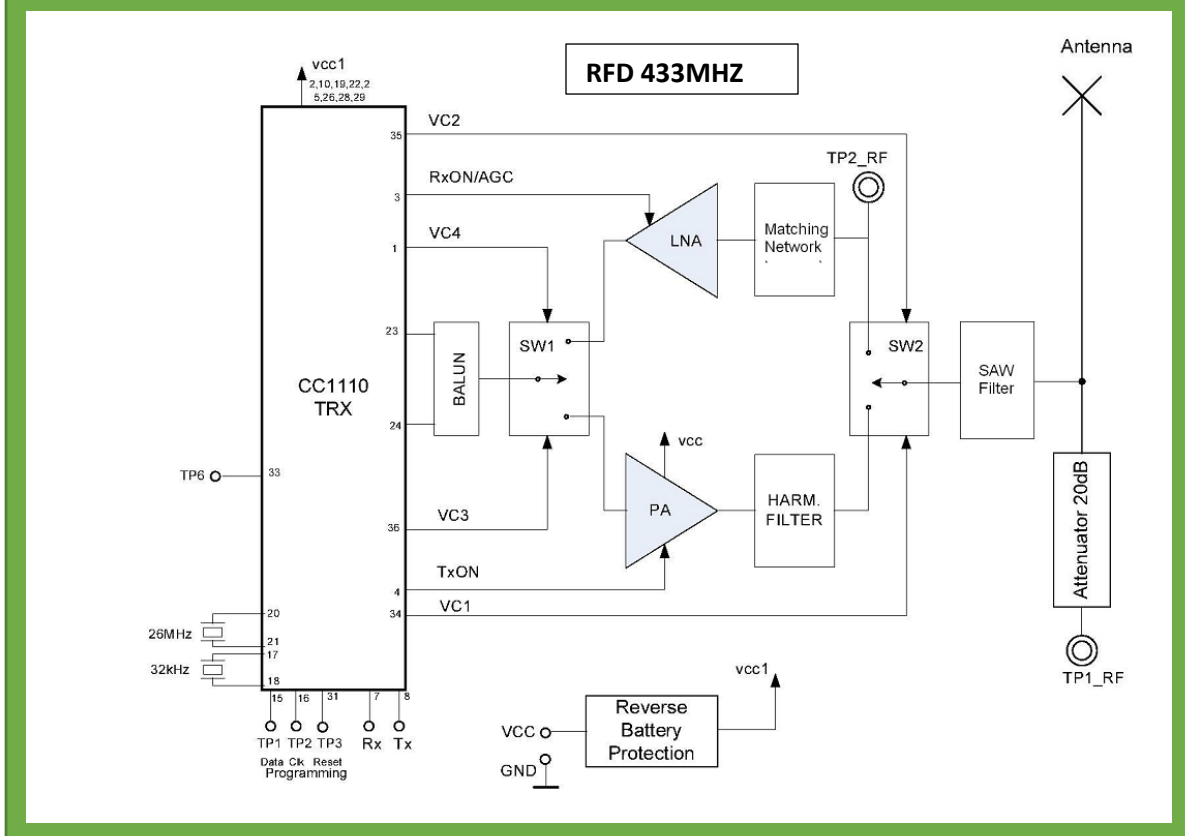
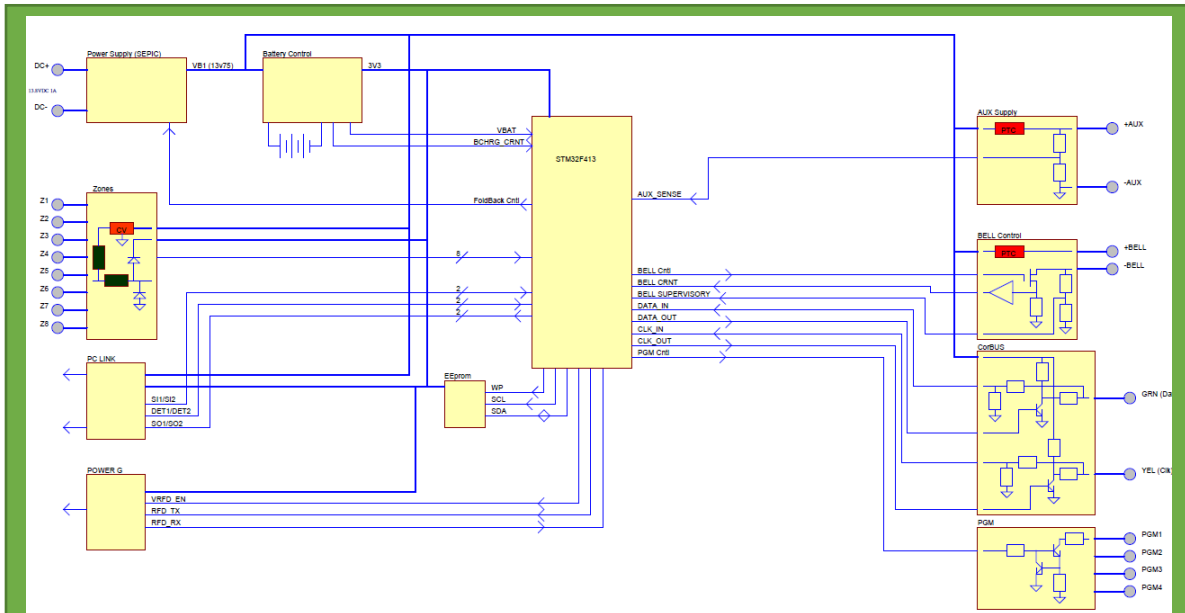
Criteria	Value
Brand	Tyco
Model	PG4HRDW8
Use	Indoor
Internal radio model	Integrated in the product (PowerG 2-way RF) uses 433MHz band
Internal radio brand	PowerG
Operational Frequency bands (transmission and reception)	433.22 – 434.64MHz
Maxim Rated output Power (ERP)	10 dBm
Type of Modulation	GFSK
Communication protocols	PowerG
SAR Certificate	N/A (device operated at >20cm from body)
Manufacturer	Tyco Safety Products Canada Ltd.
Address	3301 Langstaff Rd., Concord, ON L4K 4L2 Canada
Country of Origin	Mexico
Operating temperature	-10 °C to +55 °C
Dimensions	304 x 396 x 92 mm
Weight	1.535kg (not including the optional battery backup)

Emissions of harmonic/spurs frequencies (non-essential radiation according to UIT)

Frequency (MHz)	dBuV/m (at 3m) Class B
30MHz – 6GHz	33.0

3. Block Diagram

PG4HRDW8 Block Diagram (including the detailed Block diagram of the Wireless Module)



4. Regulatory Statement

DECLARATION OF CONFORMITY

Hereby, Tyco Safety Products Canada Ltd declares that the radio equipment type PG4HRDW8 is in compliance with Directive 2014/53/ EU. The full text of the EU declaration of conformity is available at the following internet address: www.dsc.com

Frequency Bands	Maximum Power
433.22MHz - 434.64MHz	10mW

2023 Johnson Controls. All Rights Reserved.
Tech Support: 1-800-387-3630 (Canada & U.S.) or 905-760-3000

www.dsc.com

[email: info@tycoint.com](mailto:info@tycoint.com)



The trademarks, logos, and service marks displayed on this document are registered in the United States [or other countries]. Any misuse of the trademarks is strictly prohibited, and Tyco will aggressively enforce its intellectual property rights to the fullest extent of the law, including pursuit of criminal prosecution wherever necessary. All trademarks not owned by Tyco are the property of their respective owners and are used with permission or allowed under applicable laws. Product offerings and specifications are subject to change without notice. Actual products may vary from photos. Not all products include all features. Availability varies by region; contact your sales representative