

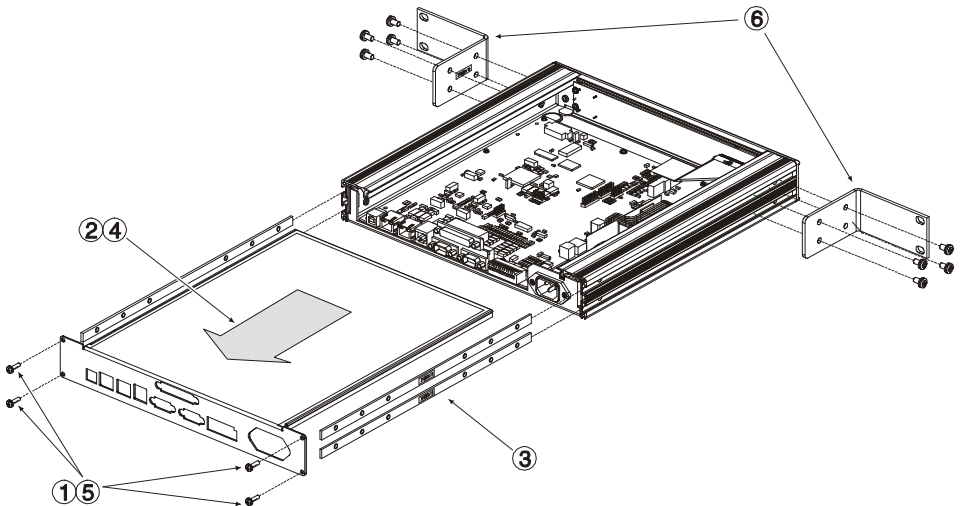
Quick Installation Guide

For use with Standard (1U) Sur-Gard Receivers

The SG Rackmount Kit provides a simple conversion of the SG desktop receiver to a standard 19" equipment rack configuration. This installation sheet must be used with the associated **Installation Guide**.

Parts List

Tap Strips (2 per side) - - - - -	Qty 4
L Brackets - - - - -	Qty 2
L Bracket Screws - - - - -	Qty 8



Installation

Disconnect the SG desktop receiver from power source and other equipment.

1. Remove the four screws securing the rear panel to the chassis.
2. Slide front panel forward to remove from chassis.
3. Insert the 4 Tap Strips in the slots indicated (2 per side).

Note: Tap strips have multiple taps for simple customization

4. Slide front panel back into chassis.
5. Install the 4 screws removed in step 2.
6. Secure the 2 'L' brackets flush to the rear of the chassis with the screws provided.
7. Install the SG desktop receiver from the rear of the rack (not supplied). Secure the SG desktop receiver with rack-compatible screws.
8. Reconnect cabling and power source as required.
9. Verify unit is operational (refer to the specific unit's **Installation Guide**).

