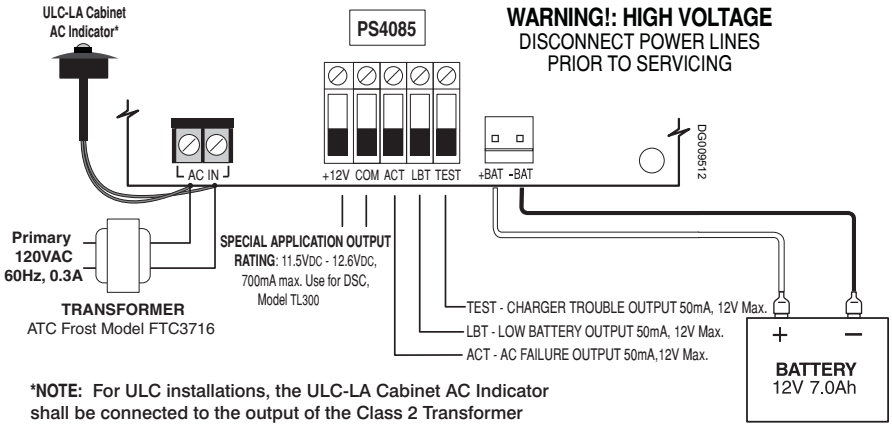
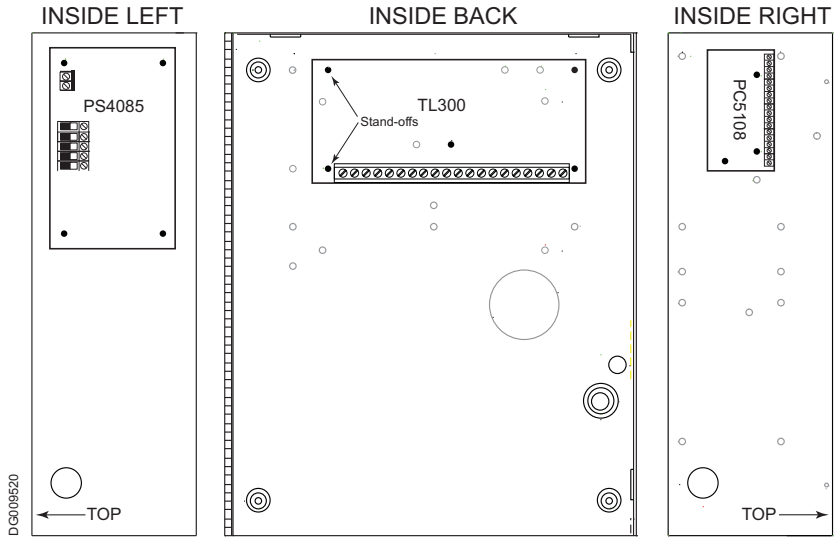


Figure 2 - PS4085 Power Supply Wiring Diagram



*NOTE: For ULC installations, the ULC-LA Cabinet AC Indicator shall be connected to the output of the Class 2 Transformer and installed in one of the knock-offs on top of the cabinet.

Figure 3 - Mounting Diagram



Use plastic stand-offs supplied to mount the boards as shown



A Tyco International Company

©2010 Tyco International Ltd. and its Respective Companies. All Rights Reserved.

Toronto, Canada • www.dsc.com
Tech Support: 1-800-387-3630 (Canada & US) or 905-760-3036
Printed in Canada



29007842R002