

WS4916 Series Wireless Smoke Detector

Installation and Operating Instructions

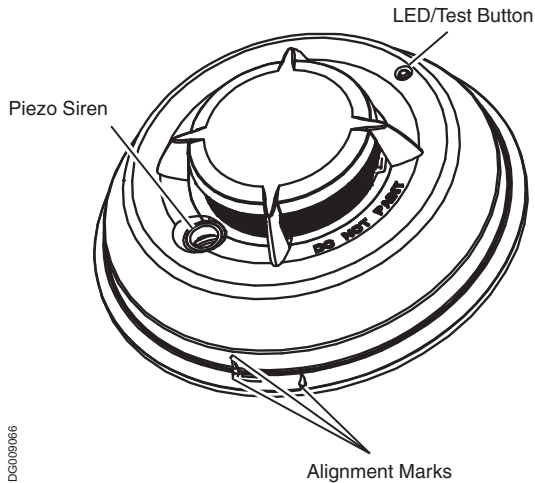
Read this instruction sheet thoroughly before installation and use of the WS4916 Wireless Smoke Detector

Introduction

The WS4916 is a wireless photoelectric smoke detector with a fixed temperature and rate of rise heat detector, and an internal piezo-electric alarm. Four versions are available: US version (UL), Canadian version (ULC), International version (EU), and Australian version (AUS).

NOTE: Heat detection based on rate of rise has not been investigated by UL/ULC.

NOTE: Australian version does not include the heat detector.



Operation

Approximately every 7 to 8 seconds the unit tests for a smoke or heat alarm condition. During this sequence the unit also performs self diagnostics, and checks for tampers and faults. During normal operation the LED will flash every 50 seconds and the sounder will not sound.

Smoke Alarm

The smoke detector will go into alarm when the signal level exceeds the "alarm" threshold and automatically restore when the signal level falls below the alarm "restore" threshold. During an alarm the LED will flash 1/second and the sounder will sound the evacuation temporal pattern (UL, EU) or continuous beeps (ULC).

The smoke detector has a preset warning threshold at 75% of the alarm threshold. If the signal level stays above this threshold, but below the alarm threshold, for more than 120 seconds, the detector will go into the "warning" state. If the signal level falls below the early warning "restore" threshold, the detector will restore to its normal state automatically. If the signal level rises above the alarm threshold, the detector will go into alarm. The LED will flash and the sounder will chirp every 50 seconds when in the warning state.

NOTE: This feature is intended to provide a warning if the environment is persistently close to the alarm threshold and provide more time to investigate and either escape or correct the situation.

Smoke - Drift Compensation

The detector automatically compensates for long-term environmentally induced changes to maintain a constant smoke sensitivity. When the drift compensation has reached its high or low limit of adjustment, the detector will go into the trouble state.

Heat Alarm

The heat detector will go into alarm when the heat signal level exceeds the heat alarm threshold (135°F/57°C); and will automatically restore when the heat signal level falls below the heat alarm threshold (restore). The detector will also go into heat alarm if there is a rapid increase in the temperature over a short period of time. During an alarm the LED will flash 1/second and the sounder will sound the evacuation temporal pattern (UL, EU) or continuous beeps (ULC).

Tamper

The removal of the detector from the mounting plate initiates a "tamper" transmission. The tamper condition is restored after the detector is mounted on the plate.

Wireless Transmissions

A supervisory message is transmitted at 64 minute intervals (12 minutes in EU model) to the control panel. If the signal is not received the control panel determines that the detector is missing.

The detector transmits the following:

- **Alarm / Alarm Restore** - (heat or smoke alarm). Transmitted at time of occurrence.
- **Tamper / Tamper Restore** - (tamper switch activated) 10 second maximum delay on restore before transmission.
- **Low Battery** - (battery voltage falls below threshold). The batteries are tested & transmitted at the time of a supervisory or other transmissions.
- **Trouble** - (detector fault or sensor compensation limit reached). Troubles are transmitted at the time of occurrence (one trouble per supervisory interval).

Batteries

The WS4916 is powered by two, 3Vdc lithium batteries.

Do NOT use batteries other than those listed.

The low battery threshold is set so the batteries will provide not less than 14 days of operation and at that point the detector will send a "low battery" signal. If the battery is still low 7 days after falling through the low battery threshold, the horn will "chirp" once every 48 seconds until battery failure. During the first 7 days after low battery detection, (non-chirp period), if the detector is tested or goes into alarm, the horn will "chirp" once the test or alarm is restored and remain "chirping" until battery failure.

Replacement batteries can be purchased from the distributor, the installation company, hardware stores or supermarkets etc.

Installation Instructions

Installation

The WS4916 Series wireless smoke detector shall be installed and used within an environment that provides the pollution degree max 2 and overvoltages category II in NON HAZARDOUS LOCATIONS, indoor only. The equipment is designed to be installed by SERVICE PERSONS only; (SERVICE PERSON is defined as a person having the appropriate technical training and experience necessary to be aware of hazards to which that person may be exposed in performing a task and of measures to minimize the risks to that person or other persons.)

1. Smoke Detector Placement

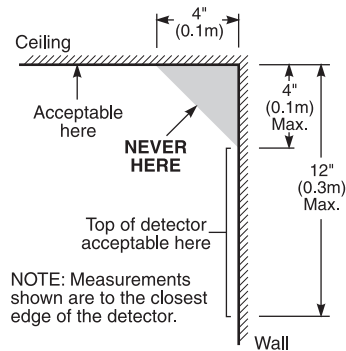
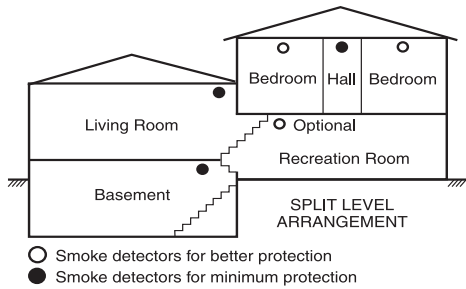
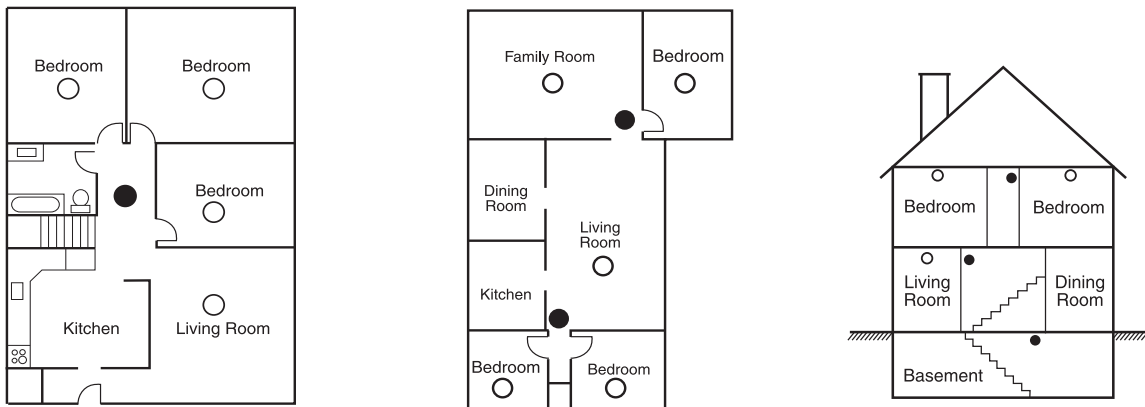
On smooth ceilings, detectors may be spaced 9.1m (30 feet) apart as a guide. Other spacing may be required depending on ceiling height, air movement, the presence of joists, uninsulated ceilings, etc. Consult National Fire Alarm Code NFPA 72 Chapter 11, CAN/ULC-S553-02 or other appropriate national standards for installation recommendations.

- Do **NOT** locate smoke detectors at the top of peaked or gabled ceilings; the dead air space in these locations may prevent the unit from detecting smoke. Avoid areas with turbulent air flow, such as near doors, fans or windows. Rapid air movement around the detector may prevent smoke from entering the unit.
- Do **NOT** locate detectors in areas of high humidity.
- Do **NOT** locate detectors in areas where the temperature rises above 38°C (100°F) or falls below 5°C (41°F).

Install Smoke detectors in accordance with NFPA 72, Chapter 11.

"Smoke detectors shall be installed outside of each sleeping area in the immediate vicinity of the bedrooms and on each additional story of the family living unit, including basements and excluding crawl spaces and unfinished attics. In new construction, a smoke detector also shall be installed in each sleeping room."

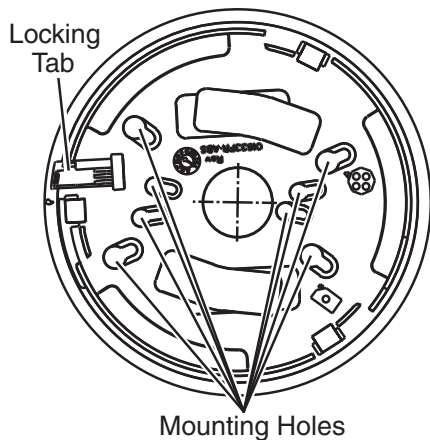




2. Mount Smoke Detector Backplate

Secure backplate to the mounting surface using the screws provided.

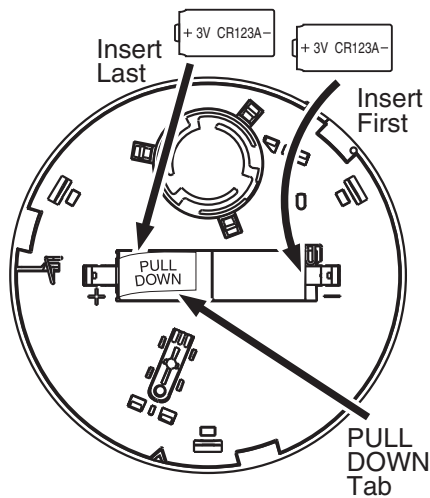
CAUTION: The dust cover protects the unit when not in service. Remove the dust cover before use.



3. Install Batteries

If batteries are not installed, install batteries in the sequence indicated. Use only approved Panasonic CR123A, Sanyo CR123A or Duracell DL123A batteries. If batteries are installed, remove the "Pull" tab to activate.

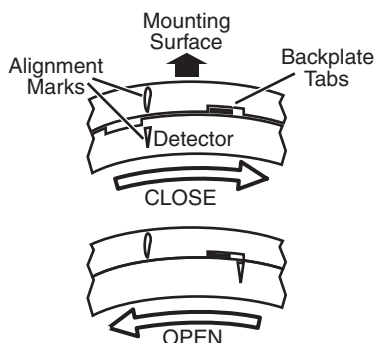
CAUTION: Without batteries the unit cannot be mounted onto the base plate properly! (WS4916 Australian version only).



4. Mounting

• Detector Installation

Position the detector on to the base plate using the detector and base plate alignment marks. Press the detector gently in place while rotating the detector clockwise until the detector snaps into place. Remove the side tab from the locking tab to lock in place (optional).



• Removal

Depress tab with a small slotted screwdriver. Rotate detector counter-clockwise until the alignment marks line up. Remove detector.

Installer Compensation Reset

Cleaning or replacement of the smoke sensor chamber changes the background signal/noise of the detector; this requires the drift compensation be reset. Compensation trouble is one of the faults indicated when the LED indicator is OFF while the sounder is chirping.

1. Remove batteries, then short the detector battery contacts for 5 seconds to power down unit.
2. Replace batteries to power up unit while pressing the test button.
3. The tamper switch must not be pressed.
4. The LED will flash when 5 seconds has elapsed. Release the test button within 2 seconds of the LED flash.
5. The LED will flash every 2 seconds for 1 minute. During this period, the detector must be mounted.

Allow an additional 2 minutes for the detector to make background level checks.

6. Test the detector to verify normal operation.

5. Test Unit

NOTE: The central monitoring station (if used) should be notified prior to the test being generated. This will prevent a false alarm and an unnecessary response from the central monitoring station. Initiate test by pressing the test button for 5 seconds minimum. Alarm activation is indicated by the flashing LED, the sounder, and transmission of the alarm signal to the control panel. The detector restores to normal when the test button is released.

NOTE: Allow a minimum of 20 seconds after power up and, after test, alarm or tamper restore activations. Do not use test button when smoke is present.

NOTE: If the detector is in one of the following states when a test is initiated; it will not enter an alarm state.

- Tamper, (detector not installed on mounting plate)
- Compensation Trouble
- Other internal faults that could prevent a smoke or heat alarm

NOTE: Smoke sensitivity of installed detectors can be measured without removal or an alarm being generated using the FSD-100 Smoke Detector Test Meter.

To test the unit using the FSD-100, set the test meter up to read devices as per the instructions supplied. Depress the test button on the smoke detector for 1 second and release.

NOTE: If the test button is held for 5 seconds or longer, an alarm will be generated.

Move the test meter over the center of the detector, wait until you hear the test meter beep, remove the unit and the information can be immediately reviewed. Please see the instructions supplied with the FSD-100 Smoke Detector Test Meter for more information.

6. Device Enrollment

The 6-digit serial number located on the back of the smoke detector housing must be enrolled into the alarm control panel with Installer programming. Refer to the receiver **Installation Manual** for details. For placement tests remove detector from backplate for one second (tamper) then reattach. Wait at least 30 seconds for test result before activating again.

Owner's Instructions

Fire Safety In The Home

Most fires occur in the home, and to minimize this danger, it is recommended that a household fire safety audit be conducted and a family escape plan be developed.

Household Fire Safety Audit

1. Are all electrical appliances and outlets in safe condition? Check for frayed cords, overloaded lighting circuits, etc. If you are uncertain about the condition of your electrical appliances or household service, have a professional evaluation.
2. Are all flammable liquids safely stored in closed containers, and in a cool and well ventilated area? Cleaning the unit with flammable liquids should be avoided.
3. Are hazardous materials (i.e., matches) out of the reach of children?
4. Are furnaces and wood burning appliances properly installed, clean, and in good working order? If in doubt, have a professional evaluation.

Family Escape Planning

There is often very little time between the detection of a fire and the time it becomes deadly. Because of this, it is very important that a family escape plan be developed and rehearsed.

- Every family member should participate in the escape plan.
- Study the possible escape routes from each location within the house. Since many fires occur at night, special attention should be given to the escape routes from sleeping quarters.
- It is essential that escape from a bedroom be possible without opening the interior door. Consider the following when making your escape plans:
 - Ensure that doors and windows that open to the outside are easily opened. Ensure that they are not painted shut and that the locking mechanisms operate smoothly.
 - If opening or using the exit is too difficult for children, the elderly or handicapped, plans for their rescue should be developed. This plan includes making sure that those who are to perform the rescue can promptly hear the fire warning signal.
 - If the exit is above the ground level, an approved fire ladder or rope should be provided, as well as training in its use.
 - Exits on the ground level should be kept clear. Be sure to remove snow from exterior patio doors in the winter and that outdoor furniture or equipment does not block exits.
 - The family should have a predetermined assembly point where everyone can be accounted for; for example, across the street or at a neighbor's house.
- Once everyone is out of the house, call the Fire Department.
- A good plan emphasizes a quick escape. Do not investigate first or attempt to fight the fire, and do not attempt to rescue belongings or valuables as this takes up time. Once outside, do not re-enter the house; wait for the Fire Department.
- Write the plan down and rehearse it frequently so that should an emergency ever arise, everyone will know what to do. Revise the plan as conditions change; for example, when there are more or fewer family members in the home or if there are changes to the house.
- Make sure your fire warning system is operational by conducting weekly tests. If you are unsure about system operation, contact your smoke detector installer or dealer.
- DSC recommends that you contact your local Fire Department and request further information on home fire safety and escape planning. If available, have your local fire prevention officer conduct an in-house fire safety inspection.

Testing Your Smoke Detector

Follow the test procedure described here or contact your smoke detector dealer or installer for testing instructions. DSC recommends that you test the entire alarm system at least once a week to verify the operation of all system functions.

Smoke Detector Unit Test

Initiate test by pressing the test button for 5 seconds (min.), the sounder makes clicking noises during this time. Press the button until the unit alarm sounds, an alarm should be sent to the control panel. When the button is released, the alarm should cease. If this does not occur, ensure batteries are the correct type, in good condition and are installed correctly (see **3. Install Batteries** in the **Installation Instructions** section).

Upon completing the functional testing of the smoke detector, check the unit's sensing chamber to ensure proper operation. To test the sensing chamber, wave a lit cotton wick or punk stick around the outside of the unit until a generous amount of smoke enters the sensing chamber or the unit alarms. If the smoke detector does not function properly, call your smoke detector installer or dealer for service.

Owner's Maintenance

The smoke detector is designed to require minimum maintenance. If the case becomes dusty, vacuum with a small brush attachment. If the case is greasy, wipe the case gently with a soft cloth slightly dampened with soapy water.

Never disassemble the smoke detector; there are no user serviceable parts inside the unit. You may only remove detector from backplate to replace batteries if not serviced by installer. When replacing the batteries, follow the instructions specified within the Installation Instructions, Item 3 Install Batteries.

CAUTION: This product uses lithium batteries, improper handling may result in a HEAT, EXPLOSION or FIRE causing personal injury. DO NOT recharge batteries. Follow the battery manufacturer's safety instructions. Dispose of used batteries in accordance with the regulations in your area.

Never paint the unit. Paint may prevent smoke from entering the unit. If you are planning renovations or repainting, contact your installer and ask that the unit be temporarily removed until work is complete.

If the unit is located in an area where it is exposed to high levels of dust or insects and causes false alarms, it may require service; contact your smoke detector installer or dealer.

Testing and maintenance procedures shall be in accordance with CAN/ULC-S552-02.

Specifications

- Diameter (base): 5.8in (147mm)
- Height (including base): 2.077in (528mm)
- Alarm Sensitivity (threshold) UL: 3.0±0.8%/ft obscuration, ULC: 2.0±0.5 %/ft obscuration
- Alarm Sensitivity (threshold) EU: complies with EN54-7
- Warning threshold: 75% of alarm threshold for 120 seconds
- Heat Alarm: 135°F (57°C)
- Supervisory Transmission Frequency UL, ULC: 64 min. intervals
- Supervisory Transmission Frequency EU: 12 minute intervals
- Sounder Alarm Pattern UL, EU: evacuation temporal pattern
- Sounder Alarm Pattern ULC: continuous beeps
- Operating Temperature with Heat Detector: 32°-100°F (0°-37.8°C)
- Operating Temperature for Smoke Alarm (Australian version): 41°-113°F (5°-45°C)
- Humidity: 5%-95% RH, non-condensing
- Batteries (2) CR123A
- Low Battery Detection Low battery 14 days remaining
- Approved Batteries: Panasonic CR123A, Sanyo CR123A and Duracell DL123A

Alarm Indications

| Condition | LED | Sounder | Transmission |
|--|-------------|--------------------|--------------|
| Normal | Flash 1/50s | OFF | Supervisory |
| Alarm Smoke | Flash 1/1s | Temporal or Steady | Alarm |
| Alarm Heat | Flash 1/1s | Temporal or Steady | Alarm |
| Early Warning Smoke | Flash 1/50s | CHIRP | None |
| Compensation Trouble High | OFF | CHIRP | Trouble |
| Compensation Trouble Low | OFF | CHIRP | Trouble |
| Sensor/Internal Fault | OFF | CHIRP | Trouble |
| Low Battery 0 - 7 days | Flash 1/50s | OFF | Low Battery |
| Low Battery 0 - 7 days & Test or Alarm | Flash 1/50s | CHIRP | Low Battery |
| Low Battery After 7 days | Flash 1/50s | CHIRP | Low Battery |
| Tamper | Flash 1/50s | OFF | Tamper |

This product has been approved by the California State Fire Marshal (CSFM) pursuant to section 13144.1 of the California Health and Safety Code. See CSFM Listing No. 7272-1273:125 for allowable values and/or conditions for use concerning material presented in this document. The approval is subject to reexamination, revision and possible cancellation.

The smoke alarm WS4916 has a recommended service life of 10 years under normal conditions of use. Please refer to the label applied to the device indicating the recommended replacement year.

For servicing the unit or replacement batteries please call your installation company that provided you with the alarm system.

NOTE: In Australia the device shall not be installed in locations where the normal ambient temperature is lower than 41°F (5°C) or higher than 113°F (45°C).

This manual shall be used in conjunction with the Installation Manual of the alarm control panel. All the instructions specified within that manual must be observed.

Limited Warranty

Digital Security Controls warrants that for a period of twelve months from the date of purchase, the product shall be free of defects in materials and workmanship under normal use and that in fulfillment of any breach of such warranty, Digital Security Controls shall, at its option, repair or replace the defective equipment upon return of the equipment to its repair depot. This warranty applies only to defects in parts and workmanship and not to damage incurred in shipping or handling, or damage due to causes beyond the control of Digital Security Controls such as lightning, excessive voltage, mechanical shock, water damage, or damage arising out of abuse, alteration or improper application of the equipment.

The foregoing warranty shall apply only to the original buyer, and is and shall be in lieu of any and all other warranties, whether expressed or implied and of all other obligations or liabilities on the part of Digital Security Controls. Digital Security Controls neither assumes responsibility nor authorizes any other person purporting to act on its behalf to modify or to change this warranty, nor to assume for it any other warranty or liability concerning this product.

In no event shall Digital Security Controls be liable for any direct, indirect or consequential damages, loss of anticipated profits, loss of time or any other losses incurred by the buyer in connection with the purchase, installation or operation or failure of this product.

Smoke Detectors: Smoke detectors that are a part of this system may not properly alert occupants of a fire for a number of reasons, some of which follow. The smoke detectors may have been improperly installed or positioned. Smoke may not be able to reach the smoke detectors, such as when the fire is in a chimney, walls or roofs, or on the other side of closed doors. Smoke detectors may not detect smoke from fires on another level of the residence or building.

Every fire is different in the amount of smoke produced and the rate of burning. Smoke detectors cannot sense all types of fires equally well. Smoke detectors may not provide timely warning of fires caused by carelessness or safety hazards such as smoking in bed, violent explosions, escaping gas, improper storage of flammable materials, overloaded electrical circuits, children playing with matches or arson.

Even if the smoke detector operates as intended, there may be circumstances when there is insufficient warning to allow all occupants to escape in time to avoid injury or death.

Warning: Digital Security Controls recommends that the entire system be completely tested on a regular basis. However, despite frequent testing, and due to, but not limited to, criminal tampering or electrical disruption, it is possible for this product to fail to perform as expected.

Important Information: Changes or modifications not expressly approved by Digital Security Controls could void the user's authority to operate this equipment.

FCC Compliance Statement

CAUTION: Changes or modifications not expressly approved by DSC could void your authority to use this equipment.

This equipment generates and uses radio frequency energy and if not installed and used properly, in strict accordance with the manufacturer's instructions, may cause interference to radio and television reception. It has been type tested and found to comply with the limits for Class B device in accordance with the specifications in Subpart "B" of Part 15 of FCC Rules, which are designed to provide reasonable protection against such interference in any residential installation. However, there is no guarantee that interference will not occur in a particular installation. If this equipment does cause interference to television or radio reception, which can be determined by turning the equipment off and on, the user is encouraged to try to correct the interference by one or more of the following measures:

- Re-orient the receiving antenna
- Relocate the alarm control with respect to the receiver
- Move the alarm control away from the receiver
- Connect the alarm control into a different outlet so that alarm control and receiver are on different circuits.

If necessary, the user should consult the dealer or an experienced radio/television technician for additional suggestions. The user may find the following booklet prepared by the FCC helpful: "How to Identify and Resolve Radio/Television Interference Problems". This booklet is available from the U.S. Government Printing Office, Washington, D.C. 20402, Stock # 004-000-00345-4.

Industry Canada Compliance Statement: This Class B digital apparatus meets all requirements of the Canadian interference-causing equipment regulations.

Cet appareil numérique de la Classe B respecte toutes les exigences de règlement sur le matériel brouilleur du Canada.

IC:160A - WLS916NB

The term "IC:" before the radio certification number only signifies that Industry Canada technical specifications were met.

Hereby, DSC, declares that this device is in compliance with the essential requirements and other relevant provisions of Directive 1999/5/EC.

The complete R&TTE Declaration of Conformity can be found at http://www.dsc.com/listings_index.aspx

(CZE) DSC jako výrobce prohlašuje, že tento výrobek je v souladu se všemi relevantními požadavky směrnice 1999/5/EC.

(DAN) DSC erklærer herved at denne komponent overholder alle vigtige krav samt andre bestemmelser gitt i direktiv 1999/5/EC.

(DUT) Hierbij verklaart DSC dat dit toestel in overeenstemming is met de eisen en bepalingen van richtlijn 1999/5/EC.

(FIN) DSC vakuuttaa laitteen täyttävän direktiivin 1999/5/EC olennaiset vaatimukset.

(FRE) Par la présente, DSC déclare que ce dispositif est conforme aux exigences essentielles et autres stipulations pertinentes de la Directive 1999/5/EC.

(GER) Hierdurch erklärt DSC, daß dieses Gerät den erforderlichen Bedingungen und Voraussetzungen der Richtlinie 1999/5/EC entspricht.

(GRE) Δια του παρόντος, η DSC, δηλώνει ότι αυτή η συσκευή είναι σύμφωνη με τις ουσιώδεις απαιτήσεις και με όλες τις άλλες σχετικές αναφορές της Οδηγίας 1999/5/EC.

(ITA) Con la presente la Digital Security Controls dichiara che questo prodotto è conforme ai requisiti essenziali ed altre disposizioni rilevanti relative alla Direttiva 1999/05/CE.

(NOR) DSC erklærer at denne enheten er i samsvar med de grunnleggende krav og øvrige relevante krav i direktiv 1999/5/EF.

(POL) DSC oświadcza, że urządzenie jest w zgodności z zasadniczymi wymaganiami oraz pozostałymi stosownymi postanowieniami Dyrektywy 1999/5/WE.

(POR) Por este meio, a DSC, declara que este equipamento está em conformidade com os requisitos essenciais e outras determinações relevantes da Directiva 1999/5/EC.

(SPA) Por la presente, DSC, declara que este equipo está en conformidad con los requisitos esenciales y otros requisitos relevantes de la Directiva 1999/5/EC.

(SWE) DSC bekräftar härmed att denna apparat uppfyller de väsentliga kraven och andra relevanta bestämmelser i Direktivet 1999/5/EC.

IMPORTANT - READ CAREFULLY: DSC Software purchased with or without Products and Components is copyrighted and is purchased under the following license terms:

- This End-User License Agreement ("EULA") is a legal agreement between You (the company, individual or entity who acquired the Software and any related Hardware) and Digital Security Controls, a division of Tyco Safety Products Canada Ltd. ("DSC"), the manufacturer of the integrated security systems and the developer of the software and any related products or components ("HARDWARE") which You acquired.
- If the DSC software product ("SOFTWARE PRODUCT" or "SOFTWARE") is intended to be accompanied by HARDWARE, and is NOT accompanied by new HARDWARE, You may not use, copy or install the SOFTWARE PRODUCT. The SOFTWARE PRODUCT includes computer software, and may include associated media, printed materials, and "online" or electronic documentation.
- Any software provided along with the SOFTWARE PRODUCT that is associated with a separate end-user license agreement is licensed to You under the terms of that license agreement.
- By installing, copying, downloading, storing, accessing or otherwise using the SOFTWARE PRODUCT, You agree unconditionally to be bound by the terms of this EULA, even if this EULA is deemed to be a modification of any previous arrangement or contract. If You do not agree to the terms of this EULA, DSC is unwilling to license the SOFTWARE PRODUCT to You, and You have no right to use it.

SOFTWARE PRODUCT LICENSE

The SOFTWARE PRODUCT is protected by copyright laws and international copyright treaties, as well as other intellectual property laws and treaties. The SOFTWARE PRODUCT is licensed, not sold.

1. GRANT OF LICENSE

This EULA grants You the following rights:

- (a) Software Installation and Use - For each license You acquire, You may have only one copy of the SOFTWARE PRODUCT installed.
- (b) Storage/Network Use - The SOFTWARE PRODUCT may not be installed, accessed, displayed, run, shared or used concurrently on or from different computers, including a workstation, terminal or other digital electronic device ("Device"). In other words, if You have several workstations, You will have to acquire a license for each workstation where the SOFTWARE will be used.
- (c) Backup Copy - You may make back-up copies of the SOFTWARE PRODUCT, but You may only have one copy per license installed at any given time. You may use the back-up copy solely for archival purposes. Except as expressly provided in this EULA, You may not otherwise make copies of the SOFTWARE PRODUCT, including the printed materials accompanying the SOFTWARE.

2. DESCRIPTION OF OTHER RIGHTS AND LIMITATIONS

- (a) Limitations on Reverse Engineering, Decompilation and Disassembly - You may not reverse engineer, decompile, or disassemble the SOFTWARE PRODUCT, except and only to the extent that such activity is expressly permitted by applicable law notwithstanding this limitation. You may not make any changes or modifications to the Software, without the written permission of an officer of DSC. You may not remove any proprietary notices, marks or labels from the Software Product. You shall institute reasonable measures to ensure compliance with the terms and conditions of this EULA.
- (b) Separation of Components - The SOFTWARE PRODUCT is licensed as a single product. Its component parts may not be separated for use on more than one HARDWARE unit.
- (c) Single INTEGRATED PRODUCT - If You acquired this SOFTWARE with HARDWARE, then the SOFTWARE PRODUCT is licensed with the HARDWARE as a single integrated product. In this case, the SOFTWARE PRODUCT may only be used with the HARDWARE as set forth in this EULA.
- (d) Rental - You may not rent, lease or lend the SOFTWARE PRODUCT. You may not make it available to others or post it on a server or web site.
- (e) Software Product Transfer - You may transfer all of Your rights under this EULA only as part of a permanent sale or transfer of the HARDWARE, provided You retain no copies, You transfer all of the SOFTWARE PRODUCT (including all component parts, the media and printed materials, any upgrades and this EULA), and provided the recipient agrees to the terms of this EULA. If the SOFTWARE PRODUCT is an upgrade, any transfer must also include all prior versions of the SOFTWARE PRODUCT.
- (f) Termination - Without prejudice to any other rights, DSC may terminate this EULA if You fail to comply with the terms and conditions of this EULA. In such event, You must destroy all copies of the SOFTWARE PRODUCT and all of its component parts.
- (g) Trademarks - This EULA does not grant You any rights in connection with any trademarks or service marks of DSC or its suppliers.

3. COPYRIGHT - All title and intellectual property rights in and to the SOFTWARE PRODUCT (including but not limited to any images, photographs, and text incorporated into the SOFTWARE PRODUCT), the accompanying printed materials, and any copies of the SOFTWARE PRODUCT, are owned by DSC or its suppliers. You may not copy the printed materials accompanying the SOFTWARE PRODUCT. All title and intellectual property rights in and to the content which may be accessed through use of the SOFTWARE PRODUCT are the property of the respective content owner and may be protected by applicable copyright or other intellectual property laws and treaties. This EULA grants You no rights to use such content. All rights not expressly granted under this EULA are reserved by DSC and its suppliers.

4. EXPORT RESTRICTIONS - You agree that You will not export or re-export the SOFTWARE PRODUCT to any country, person, or entity subject to Canadian export restrictions.

5. CHOICE OF LAW - This Software License Agreement is governed by the laws of the Province of Ontario, Canada.

6. ARBITRATION - All disputes arising in connection with this Agreement shall be determined by final and binding arbitration in accordance with the Arbitration Act, and the parties agree to be bound by the arbitrator's decision. The place of arbitration shall be Toronto, Canada, and the language of the arbitration shall be English.

7. LIMITED WARRANTY

(a) NO WARRANTY - DSC PROVIDES THE SOFTWARE "AS IS" WITHOUT WARRANTY. DSC DOES NOT WARRANT THAT THE SOFTWARE WILL MEET YOUR REQUIREMENTS OR THAT OPERATION OF THE SOFTWARE WILL BE UNINTERRUPTED OR ERROR-FREE.

(b) CHANGES IN OPERATING ENVIRONMENT - DSC shall not be responsible for problems caused by changes in the operating characteristics of the HARDWARE, or for problems in the interaction of the SOFTWARE PRODUCT with non-DSC-SOFTWARE or HARDWARE PRODUCTS.

(c) LIMITATION OF LIABILITY; WARRANTY REFLECTS ALLOCATION OF RISK - IN ANY EVENT, IF ANY STATUTE IMPLIES WARRANTIES OR CONDITIONS NOT STATED IN THIS LICENSE AGREEMENT, DSC'S ENTIRE LIABILITY UNDER ANY PROVISION OF THIS LICENSE AGREEMENT SHALL BE LIMITED TO THE GREATER OF THE AMOUNT ACTUALLY PAID BY YOU TO LICENSE THE SOFTWARE PRODUCT AND FIVE CANADIAN DOLLARS (CAD\$5.00). BECAUSE SOME JURISDICTIONS DO NOT ALLOW THE EXCLUSION OR LIMITATION OF LIABILITY FOR CONSEQUENTIAL OR INCIDENTAL DAMAGES, THE ABOVE LIMITATION MAY NOT APPLY TO YOU.

(d) DISCLAIMER OF WARRANTIES - THIS WARRANTY CONTAINS THE ENTIRE WARRANTY AND SHALL BE IN LIEU OF ANY AND ALL OTHER WARRANTIES, WHETHER EXPRESSED OR IMPLIED (INCLUDING ALL IMPLIED WARRANTIES OF MERCHANTABILITY OR FITNESS FOR A PARTICULAR PURPOSE) AND OF ALL OTHER OBLIGATIONS OR LIABILITIES ON THE PART OF DSC. DSC MAKES NO OTHER WARRANTIES. DSC NEITHER ASSUMES NOR AUTHORIZES ANY OTHER PERSON PURPORTING TO ACT ON ITS BEHALF TO MODIFY OR TO CHANGE THIS WARRANTY, NOR TO ASSUME FOR IT ANY OTHER WARRANTY OR LIABILITY CONCERNING THIS SOFTWARE PRODUCT.

(e) EXCLUSIVE REMEDY AND LIMITATION OF WARRANTY - UNDER NO CIRCUMSTANCES SHALL DSC BE LIABLE FOR ANY SPECIAL, INCIDENTAL, CONSEQUENTIAL OR INDIRECT DAMAGES BASED UPON BREACH OF WARRANTY, BREACH OF CONTRACT, NEGLIGENCE, STRICT LIABILITY, OR ANY OTHER LEGAL THEORY. SUCH DAMAGES INCLUDE, BUT ARE NOT LIMITED TO, LOSS OF PROFITS, LOSS OF THE SOFTWARE PRODUCT OR ANY ASSOCIATED EQUIPMENT, COST OF CAPITAL, COST OF SUBSTITUTE OR REPLACEMENT EQUIPMENT, FACILITIES OR SERVICES, DOWN TIME, PURCHASERS TIME, THE CLAIMS OF THIRD PARTIES, INCLUDING CUSTOMERS, AND INJURY TO PROPERTY. WARNING:

DSC recommends that the entire system be completely tested on a regular basis. However, despite frequent testing, and due to, but not limited to, criminal tampering or electrical disruption, it is possible for this SOFTWARE PRODUCT to fail to perform as expected.



1134 EN54-5/A1 (2002)
DSC, Toronto, Canada EN54-7/A2 (2006)
2010 Point type smoke and heat detector
1134-CPD-001

WS4916 Serie Funk-Rauchmelder

Installations- und Bedienungsanleitung

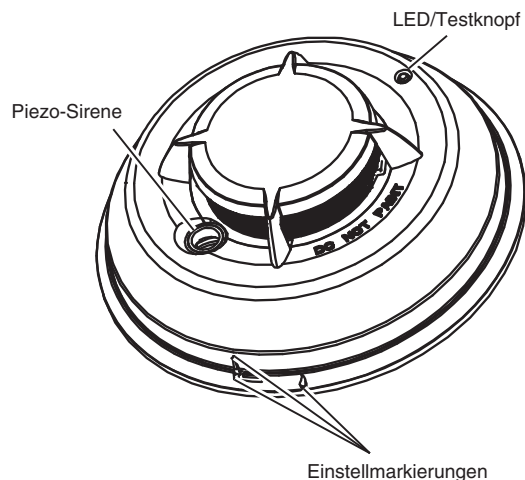
Lesen Sie diese Anleitungen aufmerksam durch, bevor Sie den WS4916 Funk-Rauchmelder installieren und in Betrieb nehmen

Einleitung

Der WS4916 ist ein kombinierter Funk-Rauch-, und Wärmemelder mit optischer Detektion, Temperaturgrenzwert- sowie Thermodifferenzial Auswertung und internem piezoelektrischem Alarm. Es sind vier Versionen lieferbar: US-Version (UL), kanadische Version (ULC), internationale Version (EU) und australische Version (AUS).

HINWEIS: Die Wärmeerkennung basiert auf der Temperaturanstiegsrate und wurde von UL/ULC nicht untersucht.

HINWEIS: Die australische Version umfasst nicht den Wärmemelder.



Bedienungshinweise

Das Gerät testet alle 7 bis 8 Sekunden auf Rauch- oder Wärmealarmzustand. Hierbei führt das Gerät ebenfalls eine Selbstdiagnose durch und überprüft auf Sabotage und Fehlfunktionen. Während des Normalbetriebs blinkt die LED alle 50 Sekunden und die Sirene ertönt nicht.

Rauchalarm

Der Rauchmelder löst einen Alarm aus, wenn der Signalpegel den „Alarm“ Grenzwert übersteigt und stellt sich automatisch zurück, wenn der Signalpegel unter den Alarm „Rückstell“ Grenzwert fällt. Während eines Alarms blinkt die LED 1/Sekunde und die Sirene ertönt mit dem unterbrochenen Evakuierungssignal (UL, EU) oder kontinuierlichen Signaltönen (ULC).

Der Rauchmelder hat einen voreingestellten Warnwert bei 75 % des Alarmgrenzwerts. Bleibt der Signalpegel länger als 120 Sekunden oberhalb dieses Grenzwerts, jedoch unterhalb des Alarmgrenzwerts, so begibt sich der Melder in den „Warnstatus“. Fällt der Signalpegel unter den frühen „Rückstell“ Warnwert, so stellt sich der Melder automatisch in den Normalstatus zurück. Steigt der Signalpegel über den Alarmgrenzwert, so gibt der Melder Alarm. Die LED blinkt im Warnstatus und die Sirene gibt alle 50 Sekunden einen Signalton ab.

HINWEIS: Diese Funktion dient als Warnung, sofern die Umgebung fortgesetzt nahe am Alarmgrenzwert ist und um ausreichend Zeit für Ermittlungen und entweder Flucht oder Korrektur der Situation zu lassen.

Rauch - Driftkorrektur

Der Melder kompensiert automatisch für langfristige umweltbedingte Veränderungen, um eine kontinuierliche Rauchempfindlichkeit zu halten. Erreicht die Driftkorrektur ihren hohen oder niedrigen Grenzwert der Einstellung, dann begibt sich der Melder in Störstatus.

Wärmealarm

Der Wärmemelder löst einen Alarm aus, wenn die Temperatur den Grenzwert übersteigt (135 °F/57 °C) und stellt sich automatisch zurück, wenn die Temperatur unter den Grenzwert abfällt (Rückstellung). Der Melder löst ebenfalls einen Wärmealarm aus, wenn es einen steilen Anstieg der Temperatur über einen kurzen Zeitraum gibt. Während eines Alarms blinkt die LED 1/Sekunde und die Sirene ertönt mit dem unterbrochenen Evakuierungssignal (UL, EU) oder kontinuierlichen Signaltönen (ULC).

Sabotage

Das Abnehmen des Melders von der Montageplatte löst einen „Sabotagealarm“ aus. Der Sabotagezustand wird zurückgestellt, nachdem der Melder wieder auf der Montageplatte befestigt ist.

Funk-Übertragungen

Eine Überwachungsmeldung wird in Abständen von 64 Minuten (12 Minuten bei EU-Modell) an die Alarmzentrale übertragen. Wird das Signal nicht empfangen, so geht die Alarmzentrale davon aus, dass der Melder fehlt.

Der Melder überträgt:

- **Alarm / Alarm-Rückstellung** - (Wärme- oder Rauchalarm). Übertragung zum Zeitpunkt des Auftretens.

- **Sabotage / Sabotage-Rückstellung** - (Sabotagekontakt aktiviert) 10 Sekunden maximale Verzögerung zur Rückstellung vor Übertragung.
- **Batterien erschöpft** - (Batteriespannung fällt unter den Grenzwert). Der Batteriezustand wird zum Zeitpunkt der Überwachungsmeldung oder sonstiger Übertragungen getestet und übertragen.
- **Störung** - (Melder Fehlfunktion oder Sensor korrektur-Grenzwert erreicht). Störungen werden zum Zeitpunkt des Auftretens übertragen (eine Störung je Überwachungsintervall).

Batterien

Der WS4916 wird von zwei 3 Vdc Lithiumbatterien versorgt.

Benutzen Sie NUR die aufgeführten Batterien.

Der Grenzwert für erschöpfte Batterien ist so eingestellt, dass die Batterien wenigstens weitere 14 Tage in Betrieb sind, zu diesem Zeitpunkt überträgt der Melder das Signal „Batterien erschöpft“. Sind die Batterien auch nach weiteren 7 Tagen erschöpft, nachdem sie unter den Grenzwert abgefallen sind, ertönt bis zur Totalausfall der Batterien alle 48 Sekunden ein Signalton. Während der ersten 7 Tage nach Batterieerkennung (kein Signalton) gibt die Sirene beim Testen des Melders oder bei Alarm einen Signalton ab und signalisiert weiterhin, bis die Batterien vollständig erschöpft sind.

Austauschbatterien erhalten Sie vom Vertrieb, Ihrem Installateur, im Baumarkt oder Supermarkt.

Installation

Der WS4916 Serie Funk-Rauchmelder muss in einer Umgebung installiert und benutzt werden, die einen Verschmutzungsgrad von max. 2 und Überspannung Kategorie II an NICHT GEFÄHRDETEN STANDORTEN aufweist sowie nur in geschlossenen Räumen.

Das Gerät darf nur von KUNDENDIENSTMITARBEITERN installiert werden (KUNDENDIENSTMITARBEITER sind als Personen definiert, die eine entsprechende technische Ausbildung und notwendige Erfahrung haben, um sich der Gefahren bei der Durchführung der Arbeiten bewusst zu sein und die Maßnahmen zur Verringerung der Risiken für sich und andere ergreifen können).

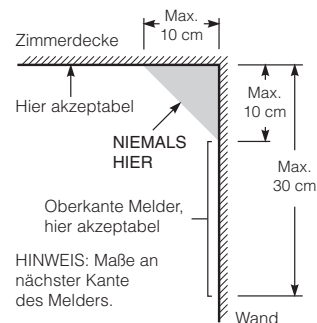
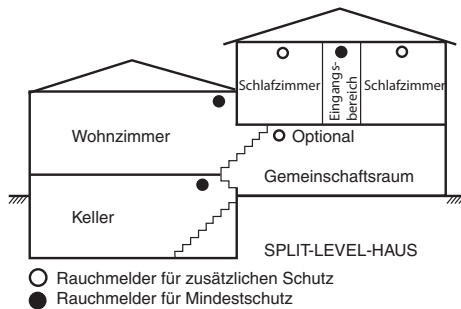
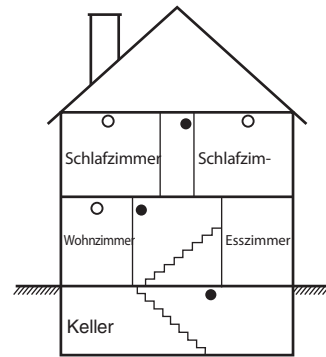
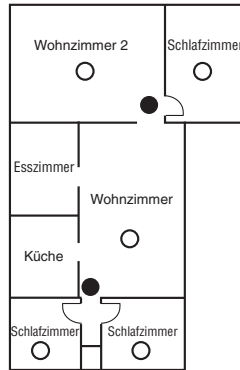
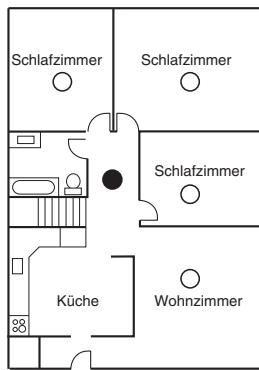
1. Montageort für Rauchmelder

Auf glatten Zimmerdecken können Melder als Faustregel im Abstand von 9,1 m installiert werden. Andere Abstände richten sich nach Deckenhöhe, Luftbewegung, Balken, nicht isolierten Decken usw. Ziehen Sie die entsprechenden nationalen Bestimmungen zu Rate.

- Installieren Sie Rauchmelder **NICHT** oben in spitzen oder gegiebelten Decken; der Totraum an diesen Standorten kann das Gerät an der Rauchererkennung hindern. Vermeiden Sie Bereiche mit Luftturbulenzen, wie beispielsweise dicht an Türen, Ventilatoren oder Fenstern. Starke Luftbewegungen in unmittelbarer Umgebung des Melders können den Rauch daran hindern, in den Melder einzutreten.
- Montieren Sie Melder **NICHT** in Bereichen mit hoher Luftfeuchtigkeit.
- Montieren Sie Melder **NICHT** in Bereichen, in denen die Temperatur über 38 °C (100 °F) steigt oder unter 5 °C (41 °F) fällt.

Installieren Sie Rauchmelder entsprechend NFPA 72, Kapitel 11.

„Rauchmelder müssen außerhalb jedes Schlafbereichs in unmittelbarer Nähe der Schlafzimmer sowie auf jeder weiteren Ebene des Hauses, einschließlich Keller, jedoch nicht Kriechkeller und nicht ausgebauter Dachgeschosse, installiert werden. Bei Neubauten muss ein Rauchmelder ebenfalls in jedem Schlafzimmer installiert werden.“

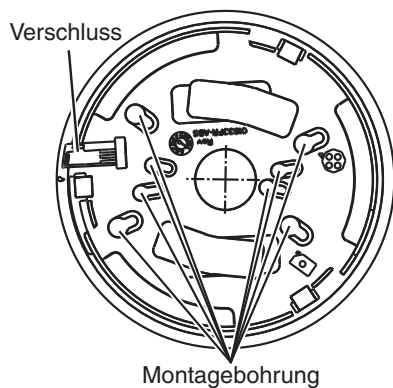


2. Rückplatte des Rauchmelders montieren

Schrauben Sie die Rückplatte mit den mitgelieferten Schrauben am Montageort an.

VORSICHT:

Der Staubschutz schützt das Gerät, wenn es nicht in Betrieb ist. Nehmen Sie den Staubschutz vor der Inbetriebnahme ab.

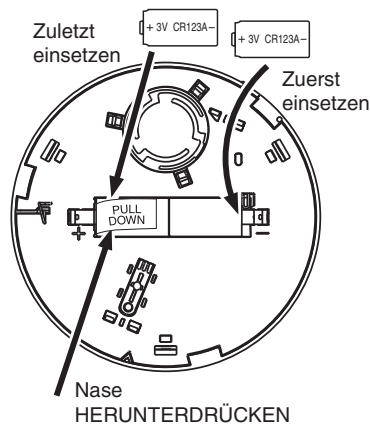


3. Batterien einsetzen

Sind keine Batterien eingesetzt, so setzen Sie sie bitte wie folgt ein. Benutzen Sie nur zugelassene Panasonic CR123A, Sanyo CR123A oder Duracell DL123A Batterien. Waren bereits Batterien eingesetzt, so ziehen Sie den Schutzstreifen zur Aktivierung heraus.

VORSICHT:

Ohne Batterien kann das Gerät nicht korrekt auf der Montageplatte montiert werden! (nur WS4916 australische Version).



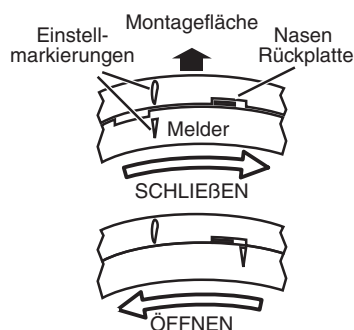
4. Montage

• Melder installieren

Setzen Sie den Melder auf der Montageplatte auf und benutzen Sie die Markierungen auf Melder und Montageplatte zum Ausrichten. Drücken Sie den Melder leicht an und drehen Sie ihn nach rechts, bis er einrastet. Entfernen Sie die seitliche Nase, um den Melder zu arretieren (optional).

• Abnehmen

Drücken Sie die Nase mit einem kleinen Schraubendreher ein. Drehen Sie den Melder nach links, bis die Markierungen ausgerichtet sind. Nehmen Sie den Melder ab.



Korrektur-Rückstellung durch Installateur

Reinigung oder Austausch der Rauchsensorkammer ändern das Hintergrundsignal des Melders und die Driftkorrektur muss zurückgestellt werden. Korrekturstörung ist einer der angezeigten Defekte mit ausgeschalteter LED und ertönender Sirene.

1. Entfernen Sie die Batterien, dann schließen Sie die Melder-Batteriekontakte für 5 Sekunden kurz, um das Gerät zu deaktivieren.
2. Setzen Sie die Batterien ein und halten Sie den Testknopf gedrückt.
3. Der Sabotagekontakt darf nicht gedrückt werden.
4. Die LED blinkt nach Ablauf von 5 Sekunden. Lassen Sie den Testknopf innerhalb von 2 Sekunden los, wenn die LED blinkt.
5. Die LED blinkt für 1 Minute alle 2 Sekunden. Während dieses Zeitraums muss der Melder montiert werden.

Gewähren Sie dem Melder weitere 2 Minuten für den Hintergrundtest.

6. Testen Sie den Melder zur Bestätigung des Normalbetriebs.

5. Gerät testen

HINWEIS: Die Notrufzentrale (sofern angeschlossen) muss vor dem Test informiert werden. Hierdurch vermeiden Sie Fehlalarm und eine unnötige Anfahrt der Notrufzentrale.

Halten Sie den Testknopf für wenigstens 5 Sekunden gedrückt. Die Alarmauslösung wird durch die blinkende LED, Sirene und Übertragung des Alarmsignals an die Alarmzentrale angezeigt. Der Melder stellt sich zurück, wenn Sie den Testknopf loslassen.

HINWEIS: Gewähren Sie dem Melder wenigstens 20 Sekunden, um wieder zu aktivieren und sich zurückzustellen. Benutzen Sie den Testknopf nicht, wenn Sie Rauch wahrnehmen.

HINWEIS: Befindet sich der Melder während des Tests in einem der folgenden Zustände, so löst er keinen Alarm aus.

- Sabotage, (Melder nicht auf Montageplatte installiert)
- Korrekturstörung
- Andere interne Fehlfunktionen, die einen Rauch- oder Wärmealarm verhindern

HINWEIS: Die Rauchempfindlichkeit des installierten Melders kann mit dem FSD-100 Rauchmelder-Tester gemessen werden, ohne ihn abzunehmen oder einen Alarm auszulösen.

Zum Testen des Geräts mit dem FSD-100, stellen Sie den Tester entsprechend der mitgelieferten Anleitung zum Auslesen von Geräten ein. Drücken Sie den Testknopf auf dem Rauchmelder für 1 Sekunde, dann lassen Sie ihn wieder los.

HINWEIS: Wird der Testknopf für 5 Sekunden oder länger gedrückt, wird ein Alarm ausgelöst.

Halten Sie den Tester über die Mitte des Melders, warten Sie ab, bis Sie vom Tester den Signalton hören, dann nehmen Sie ihn ab und die Informationen können direkt abgelesen werden. Einzelheiten finden Sie in der mit dem FSD-100 Rauchmelder-Tester mitgelieferten Anleitung.

6. Gerät registrieren

Die 6-stellige Seriennummer befindet sich auf der Rückseite des Gehäuses des Rauchmelders und muss auf der Alarmzentrale mit der Installateur-Programmierung registriert werden. Siehe **Bedienungsanleitung** für den Empfänger für Einzelheiten. Für Standorttests nehmen Sie den Melder von der Rückplatte für eine Sekunde ab (Sabotage), dann montieren Sie ihn wieder. Warten Sie wenigstens 30 Sekunden auf das Testergebnis, bevor Sie den Melder erneut aktivieren.

Bedienungsanleitung

Brandschutz im Haus

Die meisten Brände brechen in Häusern/Wohnungen aus. Zur Verringerung dieser Gefahr empfehlen wir, dass Sie eine Brandschutzprüfung Ihres Haushalts durchführen und einen Fluchtplan entwickeln.

Brandschutzprüfung Haushalt

1. Befinden sich Elektrogeräte und Steckdosen in einem sicheren Zustand? Überprüfen Sie auf beschädigte Kabel, überlastete Stromkreise usw. Sind Sie sich beim Zustand Ihrer Elektrogeräte nicht sicher, so nehmen Sie bitte professionelle Hilfe in Anspruch.
2. Werden alle leicht entzündlichen Flüssigkeiten sicher in geschlossenen Behältern in einem gut belüfteten kühlen Bereich gelagert? Vermeiden Sie das Reinigen mit brennbaren Flüssigkeiten.
3. Befinden sich feuergefährliche Materialien (z.B. Streichhölzer) außerhalb des Zugriffs von Kindern?
4. Sind Heizungs- und Holzverbrennende Geräte ordnungsgemäß installiert, sauber und in gutem Betriebszustand? Nehmen Sie zur Bewertung professionelle Hilfe in Anspruch.

Fluchtwegplanung

Es bleibt häufig nur wenig Zeit zwischen dem Erkennen eines Feuers und dem Zeitpunkt, an dem es zu einer tödlichen Gefahr wird. Daher ist es wichtig, dass ein Fluchtplan für die Familie entwickelt und durchgespielt wird.

- Jedes Familienmitglied sollte an der Entwicklung des Fluchtplans teilhaben.
- Studieren Sie mögliche Fluchtwege von jeder Position im Haus. Da viele Feuer nachts ausbrechen, richten Sie ein besonderes Augenmerk auf die Fluchtwege aus den Schlafzimmern.
- Die Flucht aus einem Schlafzimmer sollte ohne ein Öffnen der Zimmertür möglich sein. Beachten Sie bitte bei der Aufstellung Ihres Fluchtplans:
- Achten Sie darauf, dass sich alle Außenfenster und Türen einfach öffnen lassen. Achten Sie darauf, dass sie nicht übergemalt sind und dass der Schließmechanismus einwandfrei arbeitet.
- Ist das Öffnen des Ausgangs zu schwierig für Kinder, ältere oder behinderte Personen, dann sollten Rettungspäne ausgearbeitet werden. Das schließt ein, dass die Retter das Feuersignal rechtzeitig hören.
- Befindet sich der Ausgang über dem Erdgeschoss, so muss eine zugelassene Feuerleiter oder ein Seil zur Verfügung stehen und der Umgang damit geübt werden.
- Ebenerdige Ausgänge müssen freigehalten werden. Kehren Sie den Schnee im Winter außerhalb von Terrassentüren; Gartenmöbel oder Geräte dürfen die Ausgänge nicht blockieren.
- Jede Person muss den Sammelpunkt kennen (z.B. auf der anderen Straßenseite oder im Haus eines Nachbarn).
- Rufen Sie die Feuerwehr, sobald alle Personen in Sicherheit sind.
- Ein guter Plan legt Wert auf eine schnelle Flucht. Versuchen Sie selbst keine Brandermittlung oder Brandbekämpfung und sammeln Sie auch keine Habseligkeiten ein, damit verlieren Sie nur wertvolle Zeit. Einmal im Freien, gehen Sie nicht in das Haus zurück. Warten Sie auf die Feuerwehr.
- Schreiben Sie den Brand-Fluchtplan nieder und üben Sie ihn regelmäßig, damit in einem Notfall jeder weiß, was er/sie zu tun hat. Überarbeiten Sie den Plan, wenn es Veränderungen gibt, wie beispielsweise die Anzahl der Personen im Haus oder bei baulichen Veränderungen.
- Achten Sie darauf, dass Ihr Brandmeldesystem in Betrieb ist und führen Sie wöchentliche Tests durch. Sind Sie sich nicht ganz sicher, so wenden Sie sich bitte an Ihren Installateur.
- Wir empfehlen, dass Sie sich an Ihre örtliche Feuerwehr wenden und weitere Informationen zum Brandschutz und zur Fluchtwegplanung erfragen. Falls möglich, bitten Sie Ihre örtliche Feuerwehr um eine Brandinspektion vor Ort.

Rauchmelder testen

Folgen Sie dem hier beschriebenen Testablauf oder wenden Sie sich an Ihren Fachhändler oder Installateur, um die Testanleitungen zu erhalten. Wir empfehlen den Test des gesamten Alarmsystems wenigstens einmal wöchentlich.

Rauchmelder Gerätetest

Starten Sie den Test, indem Sie den Testknopf für (mindestens) 5 Sekunden gedrückt halten, die Sirene gibt ein Klickgeräusch ab. Halten Sie die Taste gedrückt, bis das Gerät den Signalton ertönen lässt, ein Alarm wird an die Alarmzentrale übertragen. Beim Loslassen der Taste verklingt der Alarm. Ist das nicht der Fall, dann vergewissern Sie sich, dass die Batterien der korrekte Typ, in gutem Zustand und korrekt installiert sind (siehe **3. Batterien einsetzen** im Abschnitt **Installationsanleitung**).

Nach dem Funktionstest des Rauchmelders überprüfen Sie die Messkammer des Geräts auf korrekten Betrieb. Zum Testen der Messkammer schwenken Sie einen brennenden Baumwolldocht oder ein Räucherstäbchen außen am Gerät, bis eine gewissen Menge Rauch in die Messkammer eintritt oder Alarm ausgelöst wird. Funktioniert der Rauchmelder nicht korrekt, so wenden Sie sich bitte an Ihren Fachhändler oder Installateur.

Wartung

Der Rauchmelder benötigt nur ein Minimum an Wartung. Verstaubt das Gehäuse, so saugen Sie es mit einer kleinen Bürste ab. Verölt das Gehäuse, so wischen Sie es vorsichtig mit einem feuchten weichen Tuch und etwas Neutralreiniger ab.

Zerlegen Sie den Rauchmelder nicht, es befinden sich keine wartbaren Teile im Gerät. Nehmen Sie den Melder lediglich von der Rückplatte ab, um die Batterien auszutauschen, sofern dies nicht vom Installateur durchgeführt wird. Beim Austausch der Batterien folgen Sie den Anleitungen in Kapitel 3 der Installationsanleitung „Batterien einsetzen“.

VORSICHT: Dieses Gerät benutzt Lithiumbatterien, unsachgemäße Handhabung kann zu ERHITZUNG, EXPLOSION oder FEUER und Verletzungen führen. Batterien NICHT aufladen. Befolgen Sie die Sicherheitshinweise des Batterieherstellers. Entsorgen Sie erschöpfte Batterien umweltgerecht.

Streichen Sie das Gerät nicht über. Die Farbe kann den Rauch am Eindringen in das Gerät hindern. Wenden Sie sich bei Renovierungsarbeiten an Ihren Installateur und lassen Sie ihn die Geräte vorübergehend abbauen. Befindet sich das Gerät in einem Bereich mit hoher Staubentwicklung oder Insekten und es löst Fehlalarme aus, dann ist eine Wartung durch Ihren Installateur oder Fachhändler nötig. Test und Wartung müssen entsprechend CAN/ULC-S552-02 durchgeführt werden.

Spezifikationen

- Durchmesser (Grundplatte): 147 mm (5,8 Zoll)
- Höhe (einschließlich Grundplatte): 52,8 mm (2,077 Zoll)
- Alarmempfindlichkeit (Grenzwert) UL: 3,0±0,8 %/ft Verdunkelung durch Rauch, ULC: 2,0±0,5 %/ft Verdunkelung durch Rauch
- Alarmempfindlichkeit (Grenzwert) EU: entsprechend EN54-7
- Warngrenzwert: 75 % des Alarm-Grenzwerts für 120 Sekunden
- Wärmealarm: 57 °C (135 °F)
- Überwachungsübertragungshäufigkeit UL, ULC: 64-Minuten-Intervalle
- Überwachungsübertragungshäufigkeit EU: 12-Minuten-Intervalle
- Sirenenalarm UL, EU: Evakuierung unterbrochenes Signal
- Sirenenalarm ULC: kontinuierliche Signaltöne
- Betriebstemperatur mit Wärmemelder: 0 °C-37,8 °C (32 °F-100 °F)
- Betriebstemperatur für Rauchalarm (australische Version): 5 °C-45 °C (41 °F-113 °F)
- Luftfeuchtigkeit: 5 %-95 % relative Luftfeuchtigkeit, nicht kondensierend
- Batterien (2) CR123A
- Erkennung Batterien erschöpft Erschöpfte Batterien noch 14 Tage funktionsfähig
- Zugelassene Batterien: Panasonic CR123A, Sanyo CR123A und Duracell DL123A

Alarmanzeigen

| Zustand | LED | Sirene | Übertragung |
|--|--------------|----------------------------|---------------------|
| Normal | Blinkt 1/50s | AUS | Überwachung |
| Alarm Rauch | Blinkt 1/1s | Unterbrochen oder Dauerton | Alarm |
| Alarm Wärme | Blinkt 1/1s | Unterbrochen oder Dauerton | Alarm |
| Frühwarnung Rauch | Blinkt 1/50s | SIGNALTON | Keine |
| Korrektur Störung hoch | AUS | SIGNALTON | Störung |
| Korrektur Störung niedrig | AUS | SIGNALTON | Störung |
| Sensor/ Interner Fehler | AUS | SIGNALTON | Störung |
| Batterien erschöpft 0 - 7 Tage | Blinkt 1/50s | AUS | Batterien erschöpft |
| Batterien erschöpft 0 - 7 Tage und Test oder Alarm | Blinkt 1/50s | SIGNALTON | Batterien erschöpft |
| Batterien erschöpft nach 7 Tagen | Blinkt 1/50s | SIGNALTON | Batterien erschöpft |
| Sabotage | Blinkt 1/50s | AUS | Sabotage |

Dieses Gerät ist durch den California State Fire Marshal (CSFM) gemäß Abschnitt 13144.1 des California Health and Safety Code zugelassen. Siehe CSFM-Listung Nr. 7272-1273:125 für zulässige Werte bzw. Umstände zur Benutzung von in dieser Anleitung bezeichneten Materialien. Die Zulassung unterliegt erneuter Überprüfung, Revision und möglicher Aufhebung.

Die optische Rauchererkennung im WS4916 hat eine empfohlene Lebensdauer von 10 Jahren unter normalen Nutzungsbedingungen. Siehe Typenschild mit aufgedrucktem Jahr des Austauschs.

Zur Wartung des Geräts und zum Austausch der Batterien wenden Sie sich bitte an den Installateur Ihres Alarmsystems.

HINWEIS: In Australien darf das Gerät nicht an Standorten installiert werden, deren gewöhnliche Umgebungstemperatur weniger als 5 °C (41 °F) oder mehr als 45 °C (113 °F) beträgt.

Benutzen Sie diese Installationsanleitung gemeinsam mit der Installationsanleitung für das entsprechende Alarmsystem. Alle Anleitungen müssen beachtet werden.

Eingeschränkte Garantie

Digital Security Controls garantiert dem Originalerwerber für einen Zeitraum von 12 Monaten ab Kaufdatum, dass das Produkt bei gewöhnlicher Nutzung frei von Material- und Verarbeitungsfehlern ist. Während der Garantiezeit repariert oder ersetzt Digital Security Controls nach eigenem Ermessen defekte Produkte nach Rückgabe an das Werk ohne Kostenberechnung für Material und Arbeit. Diese Garantie gilt nur für defekte Bauteile aufgrund Material- und Fertigungsfehlern bei normaler Benutzung. Sie deckt nicht: Schäden aufgrund Transport oder Handhabung; Schäden aufgrund von Katastrophen wie Feuer, Überflutung, Wind, Erdbeben oder Blitzschlag; Schäden aufgrund von Ursachen außerhalb der Kontrolle von Digital Security Controls, wie Überspannung, mechanische Stöße oder Wasserschaden;

Schäden aufgrund einer nicht geeigneten Installationsumgebung für die Produkte. Diese Garantie enthält die gesamten Garantien und erfolgt anstelle jeglicher und aller anderen Garantien, ausdrücklich oder angenommen (einschließlich aller angenommenen Garantien der Marktgängigkeit oder Eignung für einen bestimmten Zweck) und aller sonstigen Verpflichtungen oder Haftungen seitens Digital Security Controls. Digital Security Controls gestattet keinen anderen Personen die Handlung in seinem Auftrag, um diese Garantien zu ändern oder zu modifizieren, noch andere Garantien oder Haftungen bezüglich dieses Produkts zu übernehmen. Dieser Garantieausschluss und die eingeschränkte Garantieunterliegen den Gesetzen der Provinz Ontario, Kanada.

WARNUNG: Digital Security Controls empfiehlt, dass das gesamte System regelmäßig getestet wird. Trotz regelmäßiger Tests und aufgrund, jedoch nicht hierauf beschränkt, krimineller Sabotage oder Stromausfall, ist es möglich, dass dieses Produkt nicht erwartungsgemäß funktioniert.

WICHTIG - AUFMERKSAM LESEN: DSC-Software, die mit oder ohne Produkte und Komponenten erworben wird, ist urheberrechtlich geschützt und wird unter folgenden Lizenzbedingungen erworben: Diese Endverbraucher-Lizenzvereinbarung ist ein rechtsgültiger Vertrag zwischen Ihnen (Unternehmen, Einzelperson oder Körperschaft, welche die Software und entsprechende Hardware erworben hat) und **Digital Security Controls, einem Tochterunternehmen von Tyco Safety Products Canada Ltd.** („DSC“), dem Hersteller integrierter Sicherheitssysteme und dem Entwickler der Software sowie allen entsprechenden Produkten oder Komponenten („HARDWARE“), die Sie erworben haben.

Ist das DSC-Softwareprodukt („SOFTWAREPRODUKT“ oder „SOFTWARE“) vorgesehen, von HARDWARE begleitet zu werden und wird NICHT von neuer HARDWARE begleitet, dürfen Sie das SOFTWAREPRODUKT nicht benutzen, kopieren oder installieren. Das SOFTWAREPRODUKT umfasst Computersoftware und kann zugehörige Medien, Druckmaterialien und „Online-“ oder elektronische Dokumentation enthalten.

Jegliche Software, die zusammen mit dem SOFTWAREPRODUKT überlassen wird, ist eine separate Endverbraucher-Lizenzvereinbarung zugeordnet, welche für Sie entsprechend der Bedingungen der Lizenzvereinbarung lizenziert ist.

Durch Installation, Kopieren, Download, Speicherung, Zugriff oder sonstige Nutzung des SOFTWAREPRODUKTS stimmen Sie diesen Lizenzbedingungen uneingeschränkt zu, selbst wenn diese Endverbraucher-Lizenzvereinbarung eine Modifizierung einer früheren Vereinbarung oder eines Vertrages ist. Stimmen Sie den Bedingungen dieser Endverbraucher-Lizenzvereinbarung nicht zu, dann ist DSC nicht gewillt, das SOFTWAREPRODUKT für Sie zu lizenzieren und Sie haben kein Nutzungsrecht.

SOFTWAREPRODUKT-LIZENZ

Das SOFTWAREPRODUKT ist durch Urheberrechte und internationale Urheberrechtsvereinbarungen sowie durch Immaterialgüterrecht geschützt. Das SOFTWAREPRODUKT wird lizenziert, nicht verkauft.

1. GEWÄHRUNG EINER LIZENZ Diese Endverbraucher-Lizenzvereinbarung gewährt Ihnen folgende Rechte:

(a) Software-Installation und Nutzung - Für jede von Ihnen erworbene Lizenz dürfen Sie nur eine Kopie des SOFTWAREPRODUKTS installieren.

(b) Speicherung/Netzwerknutzung - Das SOFTWAREPRODUKT darf nicht gleichzeitig auf verschiedenen Computern, einschließlich Workstation, Terminal oder sonstigen elektronischen Geräten („Geräte“) installiert, darauf zugegriffen, angezeigt, ablaufen gelassen oder gemeinsam genutzt werden. Mit anderen Worten, falls Sie mehrere Workstations haben, müssen Sie für jede Workstation, auf welcher die SOFTWARE benutzt wird, eine eigene Lizenz erwerben.

(c) Sicherungskopie - Sie dürfen Sicherungskopien des SOFTWAREPRODUKTS erstellen, Sie dürfen jedoch nur eine Kopie je Lizenz installiert haben. Sie dürfen die Sicherungskopie ausschließlich zur Archivierung benutzen. Sie dürfen keine anderen Kopien des SOFTWAREPRODUKTS, einschließlich der die SOFTWARE begleitenden Druckmaterialien, erstellen, außer wie in dieser Endverbraucher-Lizenzvereinbarung ausdrücklich zugelassen.

2. BESCHREIBUNG WEITERER RECHTE UND EINSCHRÄNKUNGEN

(a) Einschränkungen zu Reverse Engineering, Dekompilierung und Disassemblierung - Reverse Engineering, Dekompilierung und Disassemblierung des SOFTWAREPRODUKTS sind nicht zulässig, außer und nur soweit solche Aktivität ausdrücklich durch geltendes Recht, unabhängig von diesen Einschränkungen, zugelassen ist. Sie dürfen die Software ohne schriftliche Erlaubnis eines leitenden Angestellten von DSC nicht verändern oder modifizieren. Sie dürfen keine Eigentumshinweise, Markierungen oder Aufkleber vom Softwareprodukt entfernen. Sie müssen auf angemessene Weise dafür sorgen, dass die Bedingungen dieser Endverbraucher-Lizenzvereinbarung eingehalten werden.

(b) Trennung von Komponenten - Das SOFTWAREPRODUKT ist als Einzelprodukt lizenziert. Seine Komponenten dürfen nicht zur Nutzung auf mehr als einem HARDWARE-Gerät getrennt werden.

(c) Einzelnes INTEGRIERTES PRODUKT - Haben Sie diese SOFTWARE gemeinsam mit HARDWARE erworben, dann ist das SOFTWAREPRODUKT gemeinsam mit der HARDWARE als einzelnes integriertes Produkt lizenziert. In diesem Fall darf das SOFTWAREPRODUKT nur mit der HARDWARE benutzt werden, wie in dieser Endverbraucher-Lizenzvereinbarung ausgeführt.

(d) Miete - Sie dürfen das SOFTWAREPRODUKT nicht vermieten, leasen oder ausleihen. Sie dürfen es anderen nicht zur Verfügung stellen oder es auf einem Server oder einer Website einstellen.

(e) Übertragung des Softwareprodukts - Sie dürfen all Ihre Rechte unter dieser Endverbraucher-Lizenzvereinbarung nur als Teil eines permanenten Verkaufs oder einer Übertragung der

HARDWARE übertragen, vorausgesetzt, dass Sie keine Kopien behalten, Sie das gesamte SOFTWAREPRODUKT (einschließlich allen Komponenten, Medien und Druckmaterialien, allen Aktualisierungen und dieser Endverbraucher-Lizenzvereinbarung) übertragen und unter der Voraussetzung, dass der Empfänger den Bedingungen dieser Endverbraucher-Lizenzvereinbarung zustimmt. Ist das SOFTWAREPRODUKT eine Aktualisierung, so muss eine Übertragung auch alle vorherigen Versionen des SOFTWAREPRODUKTS umfassen.

(f) Kündigung - Ohne Beeinträchtigung anderer Rechte kann DSC diese Endverbraucher-Lizenzvereinbarung kündigen, wenn Sie die Bedingungen dieser Endverbraucher-Lizenzvereinbarung nicht einhalten. In diesem Fall müssen Sie alle Kopien des SOFTWAREPRODUKTS und aller seiner Komponenten zerstören.

(g) Marken - Diese Endverbraucher-Lizenzvereinbarung gewährt Ihnen keine Rechte in Verbindung mit Marken oder Dienstleistungsmarken von DSC oder seinen Zulieferern.

3. COPYRIGHT

Alle Titel und Immaterialgüterrechte an und für das SOFTWAREPRODUKT (einschließlich, jedoch nicht hierauf beschränkt, Bilder, Fotos und Texte im SOFTWAREPRODUKT), die begleitenden Druckmaterialien und Kopien des SOFTWAREPRODUKTS sind das Eigentum von DSC oder seinen Zulieferern. Sie dürfen die begleitenden Druckmaterialien des SOFTWAREPRODUKTS nicht kopieren. Alle Titel und Immaterialgüterrechte an den Inhalten, auf die Sie durch das SOFTWAREPRODUKT zugreifen können, sind das Eigentum der entsprechenden Eigentümer der Inhalte und sind möglicherweise durch Urheberrecht oder andere Immaterialgüterrechte und Vereinbarungen geschützt. Diese Endverbraucher-Lizenzvereinbarung gewährt Ihnen keine Rechte zur Benutzung dieser Inhalte. Alle Rechte, nicht ausdrücklich unter dieser Endverbraucher-Lizenzvereinbarung gewährt, bleiben durch DSC und seine Zulieferer vorbehalten.

4. EXPORTBESCHRÄNKUNGEN

Sie stimmen zu, dieses SOFTWAREPRODUKT nicht an Länder, Personen oder Körperschaften zu exportieren oder zu re-exportieren, - die kanadischen Exportbeschränkungen unterliegen.

5. RECHTSWAHL

Diese Software-Lizenzvereinbarung unterliegt den Gesetzen der Provinz Ontario, Kanada.

6. SCHLICHTUNG

Alle Streitigkeiten aus dieser Vereinbarung müssen durch abschließende und bindende Schlichtung entsprechend Arbitration Act (Schlichtungsgesetz) beigelegt werden und die Parteien müssen sich der Entscheidung des Schlichters unterwerfen. Ort der Schlichtung ist Toronto, Kanada und die Schlichtungssprache ist Englisch.

7. EINGESCHRÄNKTE GARANTIE

(a) KEINE GARANTIE - DSC STELLT DIE SOFTWARE OHNE MÄNGELGEWÄHR UND OHNE GARANTIE ZUR VERFÜGUNG. DSC GARANTIERT NICHT, DASS DIE SOFTWARE IHREN ANFORDERUNGEN ENTSPRICHT ODER DASS DER BETRIEB DIESER SOFTWARE UNUNTERBROCHEN ODER FEHLERFREI IST.

(b) ÄNDERUNGEN DER BETRIEBSUMGEBUNG - DSC ist nicht für Probleme verantwortlich, die durch Änderung der Betriebscharakteristiken der HARDWARE oder für Probleme bei der Interaktion von SOFTWAREPRODUKTEN mit Nicht-DSC-SOFTWARE oder HARDWAREPRODUKTEN hervorgerufen werden.

(c) HAFTUNGSBESCHRÄNKUNG, GARANTIE REFLEKTIERT RISIKOUZWEISUNG - IN JEDEM FALL, SOFERN EIN GESETZ GARANTIE ODER ZUSTÄNDE EINBEZIEHT, DIE IN DIESER LIZENZVEREINBARUNG NICHT DARGESTELLT SIND, BESCHRÄNKT SICH DSCs GESAMTE HAFTUNG UNTER JEDLICHER BESTIMMUNGEN DIESER LIZENZVEREINBARUNG AUF DEN VON IHNEN BEZAHLTEN ANTEIL FÜR DIE LIZENZ DIESER SOFTWAREPRODUKTS UND FÜNF KANADISCHE DOLLAR (CAD 5,00). DA EINIGE GESETZGEBUNGEN DEN AUSSCHLUSS DER HAFTUNGSBEGRENZUNG FÜR BEILÄUFIGE ODER FOLGESCHÄDEN NICHT ZULASSEN, TRIFFT DIE OBIGE BESCHRÄNKUNG FÜR SIE MÖGLICHERWEISE NICHT ZU.

(d) GARANTIEAUSSCHLUSS - DIESER GARANTIE ENTHÄLT DIE GESAMTEN GARANTIE ODER ERFOLGT ANSTELLE JEDLICHER UND ALLER ANDEREN GARANTIE, AUSDRÜCKLICH ODER ANGENOMMEN (EINSCHLIEßLICH ALLER ANGENOMMENEN GARANTIE ODER MARKTGÄNGIGKEIT ODER EIGNUNG FÜR EINEN BESTIMMTEN ZWECK) UND ALLER SONSTIGEN VERPFLICHTUNGEN ODER HAFTUNGEN SEITENS DSC. DSC GIBT KEINE WEITEREN GARANTIE AB. DSC GESTATTET KEINEN ANDEREN PERSONEN DIE HANDLUNG IN SEINEM AUFTRAG, UM DIESE GARANTIE ZU ÄNDERN ODER ZU MODIFIZIEREN, NOCH ANDERE GARANTIE ODER HAFTUNGEN BEZÜGLICH DIESER SOFTWAREPRODUKTS ZU ÜBERNEHMEN.

(e) AUSSCHLIEßLICHE NACHBESSERUNG UND BESCHRÄNKUNG DER GARANTIE - UNTER KEINEN UMSTÄNDEN IST DSC FÜR IRGENDWELCHE BESONDERE, ZUFÄLLIGE, NACHFOLGENDE ODER INDIREKTE SCHÄDEN BASIEREND AUF VERSTOß GEGEN DIE GARANTIE, VERTRAGSBRUCH, FAHRLÄSSIGKEIT, STRIKTE HAFTUNG ODER SONSTIGE RECHTSSTHEORIEN HAFTBAR. SOLCHE SCHÄDEN UMFASSEN, SIND JEDOCH NICHT HIERAUF BESCHRÄNKT, GEWINNVERLUST, VERLUST DES SOFTWAREPRODUKTS ODER JEDLICHER ANDERER ZUGEHÖRIGER GERÄTE, KAPITALKOSTEN, ERSATZBESCHAFFUNGSKOSTEN FÜR GERÄTE, EINRICHTUNGEN ODER DIENSTLEISTUNGEN, STANDZEITEN, ZEITAUFWAND DES KÄUFERS, FORDERUNGEN DRITTER, EINSCHLIEßLICH KUNDEN SOWIE SACHSCHÄDEN. WARNUNG: DSC empfiehlt, dass das gesamte System regelmäßig getestet wird. Trotz regelmäßiger Tests und aufgrund, jedoch nicht hierauf beschränkt, krimineller Sabotage oder Stromausfall, ist es möglich, dass dieses SOFTWAREPRODUKT nicht erwartungsgemäß funktioniert.

In diesem Dokument dargestellte Marken, Logos und Dienstleistungsmarken sind in den Vereinigten Staaten [oder anderen Ländern] registriert. Eine missbräuchliche Nutzung der Marken ist verboten und Tyco International Ltd. setzt seine geistigen Eigentumsrechte aggressiv mit allen rechtlichen Mitteln durch, einschließlich strafrechtlicher Verfolgung, wenn nötig. Alle Marken, die nicht Tyco International Ltd. gehören, stehen im Eigentum der jeweiligen Rechteinhaber und werden mit Zustimmung oder entsprechend der anwendbaren Gesetze benutzt.

Änderung von Produktangeboten und Spezifikationen vorbehalten. Die Produkte können von Abbildungen leicht abweichen. Nicht alle Produkte enthalten alle Ausstattungsmerkmale. Lieferbarkeit entsprechend Region, bitte wenden Sie sich an Ihren Vertreter.



| | |
|----------------------|-------------------------|
| 1134 | EN54-5/A1 (2002) |
| DSC, Toronto, Kanada | EN54-7/A2 (2006) |
| 2010 | Punktartiger Rauch- und |
| 1134-CPD-001 | Wärmemelder |



A Tyco International Company

© 2011 Tyco International Ltd. und angeschlossene Unternehmen. Alle Rechte vorbehalten.
Toronto, Kanada • www.dsc.com
Gedruckt in Czech17